

# More Performance. Simplified.

## u-remote.

IP 20  
**A**



Weidmüller u-remote – our innovative remote-I/O concept with IP 20 which focuses purely on user benefits: tailored planning, faster installation, safer start-up, minimised downtimes. For considerably improved performance and greater productivity.



# IP 20

<b>IP 20</b>	u-remote	A.2
	Introduction to housing	A.6
	Field bus coupler	A.8
	Digital input modules	A.16
	Digital output modules	A.24
	Digital counter modules	A.34
	Pulse width modulation modules	A.39
	Analogue input modules	A.42
	Temperature modules	A.46
	Analogue output modules	A.50
	Power-feed modules	A.52
	Modules for functional safety	A.56
	Accessories	A.60
	System overview	A.64



AUTOMATISME | CONTROL ELÈCTRIC

C/ Samontà, 22  
 Pol. Ind. Font Santa  
 08970 Sant Joan Despí  
 BARCELONA  
 T. +34 93 477 62 62  
[www.acesa.es](http://www.acesa.es)

# More Performance. Simplified.

## u-remote.

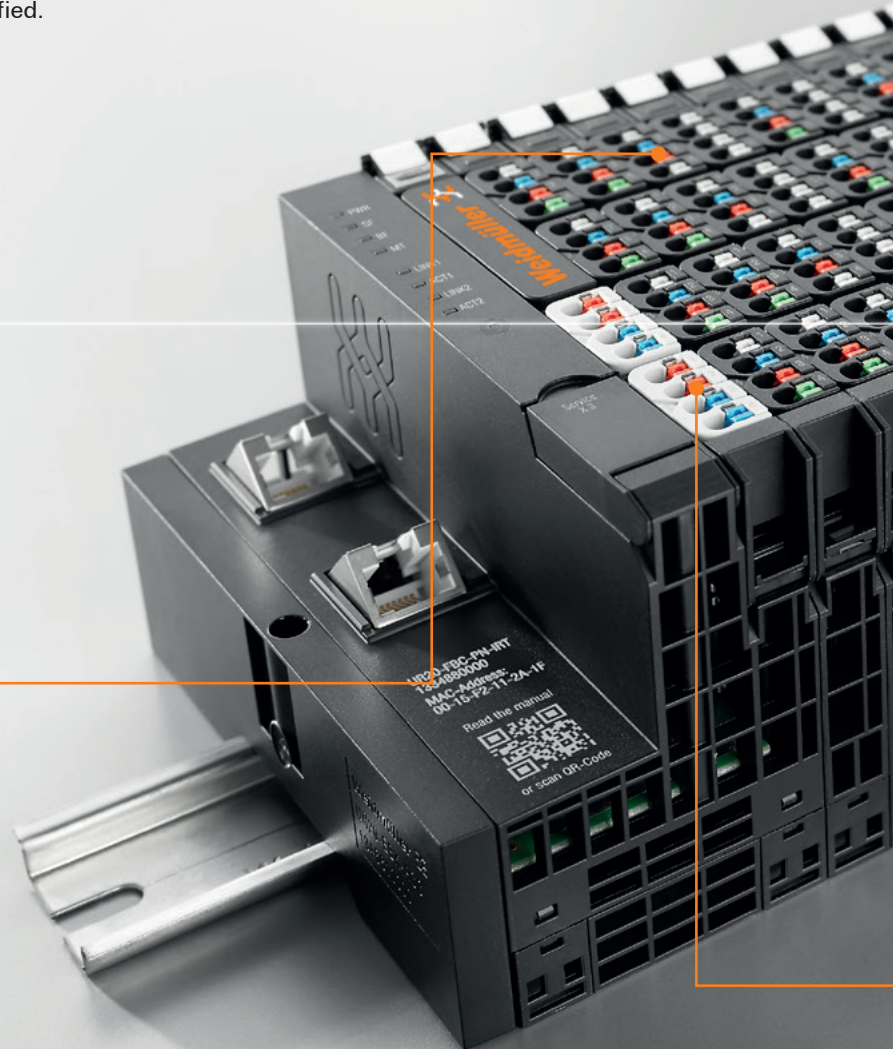
Weidmüller u-remote – the innovative remote-I/O concept with IP 20 which focuses purely on user benefits: tailored planning, faster installation, safer start-up, minimised downtimes. For considerably improved performance and greater productivity. Reduce the size of your cabinets with u-remote, thanks to the narrow design and the need for fewer power-feed modules. Our u-remote technology also offers tool-free assembly, while the modular design and integrated web server speed up installation, both in the cabinet and machine. Status LEDs on the channel and each u-remote module enable reliable diagnosis and rapid service.

This and many other amazing ideas boost the availability of your machines and systems. And ensure smooth processes too. From planning to operation.

Our u-remote can do it all - More Performance. Simplified.

### Speed things up with modularity

The modular structure of u-remote ensures rapid start-up and simple service. The compact design enables intuitive handling which reduces wiring mistakes and therefore lessens the start-up times for machines and systems. u-remote speeds up the replacement of electronics without the need to alter wiring during maintenance work, so improving system availability.





**Improve system availability**

The system simply runs on and on. The permanent base allows electronics to be replaced without interrupting communication, or the supply of voltage to your remote-I/O system. A reliable solution for minimising machine downtime.

**Local and remote testing**

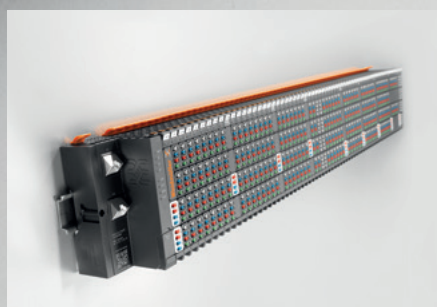
By starting up one section at a time, u-remote simplifies remote testing and its integrated web server capability speeds up maintenance work. It allows you to run diagnoses remotely using any standard browser and without having to install any software. You can also simulate inputs and force outputs, locally and with ease.

**Plan for a smaller set-up**

Now you can configure your cabinets one size smaller. With the narrow design (module width of 11.5 mm), not only does u-remote save space, it also delivers highest channel density and extremely flexible design options. For innovative and cost-saving solutions in small spaces.

**A single power supply is enough**

Keep your remote-I/O station as small as possible and simplify your planning. u-remote has a 4 A supply path, which allows 64 I/O-modules to be operated with just one power supply on the coupler.

**Intelligently separated**

u-remote separates the supply for inputs and outputs using two 10 A current paths which are able to withstand high loads. High productivity translates into fewer power-feed modules and therefore more space and less planning. And your system can be quickly maintained while retaining full diagnostic capability, as inputs and outputs can be switched off independently of one another.



# More Performance. Simplified. u-remote.

### One glance and you can see everything going on

Clear assignment of status and diagnosis has never been this simple. With one LED on the channel and status displays on each module, you can easily see all you need on u-remote. The technician can see and rectify errors without delay. Indispensable benefits for a safe start-up and rapid system maintenance.



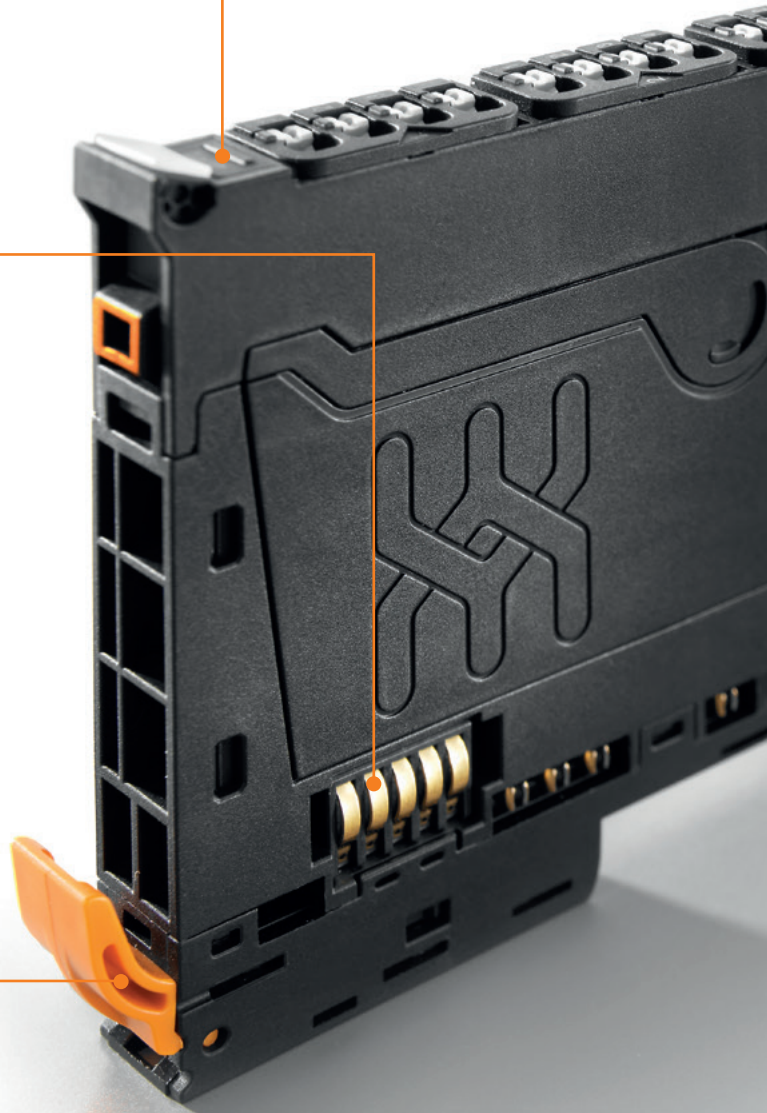
### Extremely fast with huge power reserves

The u-remote has outstanding electronic performance, with the high-speed system bus achieving up to 256 DI/DOs in 20  $\mu$ s. u-remote offers an extremely fast response time and precise mapping of processes in the system, with up to 1024 I/O-channels per station, as well as huge power reserves for future use.



### Keeping it simple

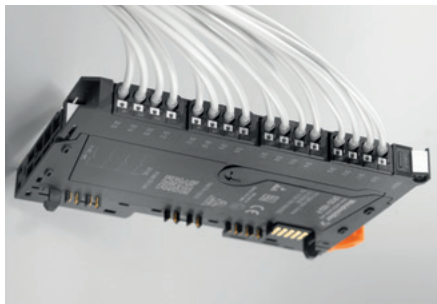
The u-remote modules can be released without any tools and their sequence can be changed. For faster machine maintenance and simple system modification.





**One row with no mistakes**

The clearly structured single-row connection strip assists with assignment to the circuit diagrams. When working to tight deadlines, this prevents wiring mistakes and problems during service work.

**Direct insertion – direct savings**

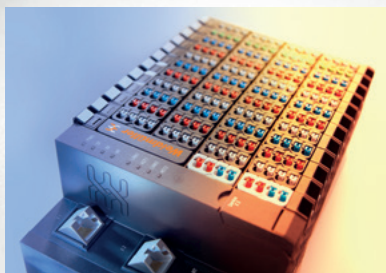
u-remote is equipped with "PUSH IN" direct connection technology. The conductor with wire end ferrule is simply inserted in the clamping unit until the stop is reached – job done! This technology delivers time savings of up to 50 percent, compared to conventional wire-connection methods, and without security losses on safety.

**Simply plug and go**

The plug-in connection level allows sensors and actuators to be connected with pre-assembled cables. This means improved time benefits, better handling, and minimises the number of mistakes in system wiring.

**Focus on reliability**

u-remote remains stable in the event of fluctuating temperatures. It is designed for use in temperatures of between  $-20\text{ }^{\circ}\text{C}$  and  $+60\text{ }^{\circ}\text{C}$  without restrictions on function, which is not only great for safety, but the system's life expectancy too.



# More Performance. Simplified. u-remote.

IP 20

A



Let's connect.

## IP 20

u-remote from Weidmüller is the reliable interface between field bus and field level in automation. The modular system is based on various components: a field bus coupler, up to 64 I/O-modules, optional power-feed modules and a wealth of accessories, such as markers and terminating elements.

The field bus coupler is the central link between the various field-bus standards and the u-remote system bus. At the same time, up to 64 I/O-modules are supplied via its integrated power contacts. The well-engineered technology of the connection system enables  $2 \times 10 \text{ A}$  to be supplied for the input and output modules and the system voltage to be fully supplied through the field bus coupler.

Every field bus coupler provides direct access to the u-remote system via a web server without additional software having to be installed. The system can thereby be parameterised and its configuration checked. Inputs and outputs can also be checked or influenced. The connection may take the form of an Ethernet-based field bus or micro USB.

The u-remote field bus couplers are integrated in the standard simple manner. The corresponding development environments of the control systems and the device description files available online, e.g. GSD, ESD or XML, can be used to easily perform the necessary settings.

The modularly structured I/O-modules are unique in that they allow the sensor and actuator wiring to be designed in both a robust and plug-in manner. This allows the electronics to be replaced at any time even with permanent wiring without downstream I/O-module operations being affected. This achieves an invaluable time saving, in terms of both wiring inaccessible cabinets and rapidly replacing sensors. Thanks to the "PUSH IN" technology for up to  $1.5 \text{ mm}^2$ , in their narrowest form of  $11.5 \text{ mm}$ , the modularly structured u-remote I/O-modules can be used for all sensor and actuator connections with a very high connection density. A clear status and diagnosis display on the connection also ensures rapid and precise checks for individual sensors and actuators.





# PROFIBUS field bus coupler

## DP-V1; Web server tool; Sub-D connection



IP 20  
A

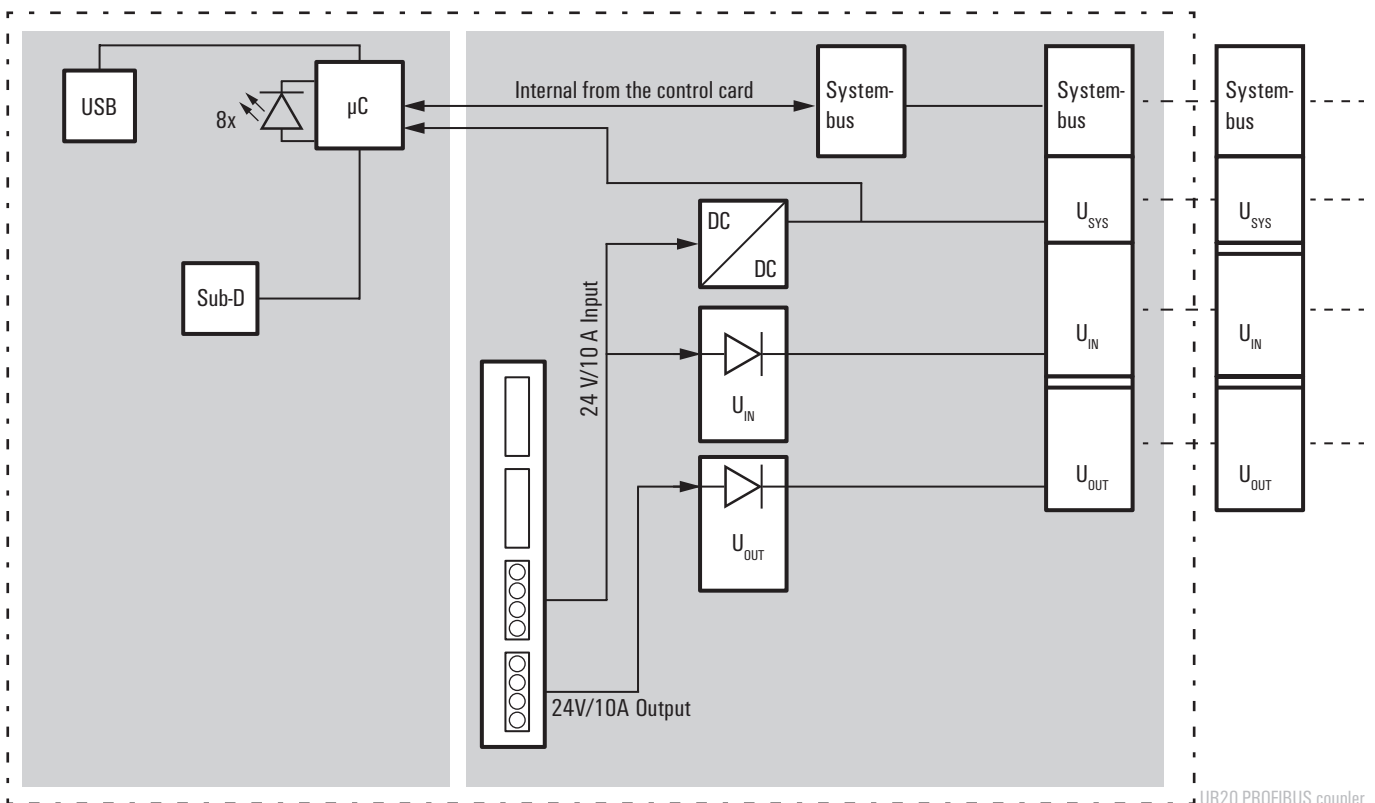
In automation technology, the PROFIBUS-DP standard enables the controlled incorporation of sensors and actuators via one central control unit. The UR20-FBC-PB-DP field bus coupler is a PROFIBUS-DP-V1 participant certified by the Profibus user organisation. With options for connecting up to 64 u-remote participants, it serves as the head module for the u-remote system bus. The PROFIBUS-DP coupler has a Sub-D plug-in connector and supports all services according to the DP-V1 specification. Two rotary coding switches are used to address individual PROFIBUS participants.

The coupler can be activated with a system-independent web server application via the USB service interface. All information, such as diagnoses, status values and parameters, can therefore be read out. All connected inputs can also be simulated or outputs set. The initial system power supply is already integrated in the field bus coupler. Power is supplied via two 4-pin connectors, separated into the input and output current paths.

Since the PROFIBUS-DP products from Weidmüller make full use of all the latest technological possibilities, such as GSD files and diagnosis messages, they actively support your application in the most important tasks – from engineering and commissioning to faults.

More Performance. Simplified.

### Block diagram UR20-FBC-PB-DP



UR20 PROFIBUS coupler

**PROFIBUS**

- 2 x 10 A current paths
- Address can be set using rotary switch
- Web server
- System supply of 64 I/O-modules
- Temperature range -20... +60 °C
- PROFIBUS DP-V1 up to 12 Mbaud

**UR20-FBC-PB-DP**



**Technical data**

System data	
Connection	9-pin SUB-D connector
Field bus protocol	PROFIBUS DP-V1
Process data	488 Byte
Parameter data	244 Byte
Diagnostic data	244 Byte
Max. number of I/O-modules	64
Configuration interface	USB 2.0
Transmission rate of field bus	12 Mbit/s
Transmission speed of u-remote system bus	48 Mbit/s
Supply	
Supply voltage for system and inputs	24 V DC +20 % / -15 %
Supply voltage for outputs	24 V DC +20 % / -15 %
Feed current for input modules, max.	10 A
Feed current for output modules, max.	10 A
Current consumption (I <sub>N</sub> in power segment of field bus coupler), typ.	100 mA
General data	
Weight	220 g
Dimensions (H/W/D)	120 mm (with catch lever 128 mm) x 52 mm x 76 mm
Download of GSD-file on <a href="http://www.weidmueller.com">www.weidmueller.com</a>	

9-pin SUB-D connector	PROFIBUS DP-V1	488 Byte	244 Byte	244 Byte	64	USB 2.0	12 Mbit/s	48 Mbit/s	24 V DC +20 % / -15 %	24 V DC +20 % / -15 %	10 A	10 A	100 mA	220 g	120 mm (with catch lever 128 mm) x 52 mm x 76 mm
-----------------------	----------------	----------	----------	----------	----	---------	-----------	-----------	-----------------------	-----------------------	------	------	--------	-------	--

**Ordering data**

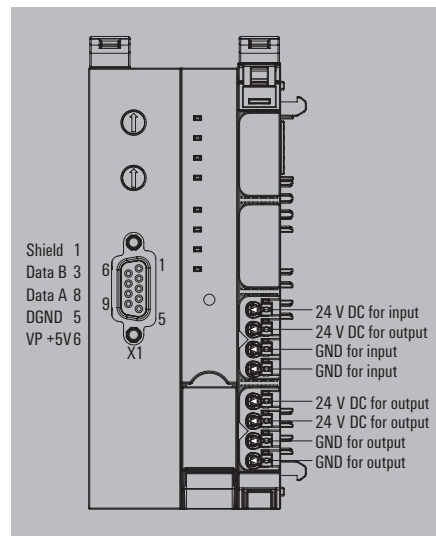
Module variants	
Field bus coupler, PROFIBUS DP-V1	

Type	Qty.	Order No.
UR20-FBC-PB-DP	1	1334870000

**Accessories**

Replacement parts	
Plug-in connector unit	UR20-PK-FBC-SP 5 1346580000
Note	
* <sup>1)</sup> 1 roll = 1000 label = 1 Qty. * <sup>2)</sup> 1 sheet = 60 label = 1 Qty.	

Type	Qty.	Order No.
KOSM BHZ5.00	100	1483050000
UR20-EBK-ACC	5	1346610000
UR20-SM-ACC	20	1339920000
PM 2.7/2.6 MC SDRVPE	192	1323700000
PM 2.7/2.6 MC NE WS	960	1323710000
DEK 5/8-11.5 MC SDR	100	1341610000
DEK 5/8-11.5 MC NE WS	500	1341630000
THM UR20 GE * <sup>1)</sup>	1	1429910000
THM UR20 WS * <sup>1)</sup>	1	1429420000
ESD UR20 DIN A4 WS * <sup>2)</sup>	10	1429430000



Product standard	IEC 61131-2
EMC	EN 61000
ATEX	EN 60079
UL (in preparation)	UL 508



Let's connect.

# PROFINET field bus coupler

Web server tool;  
two RJ45 ports; 100 Mbit/s



IP 20  
A

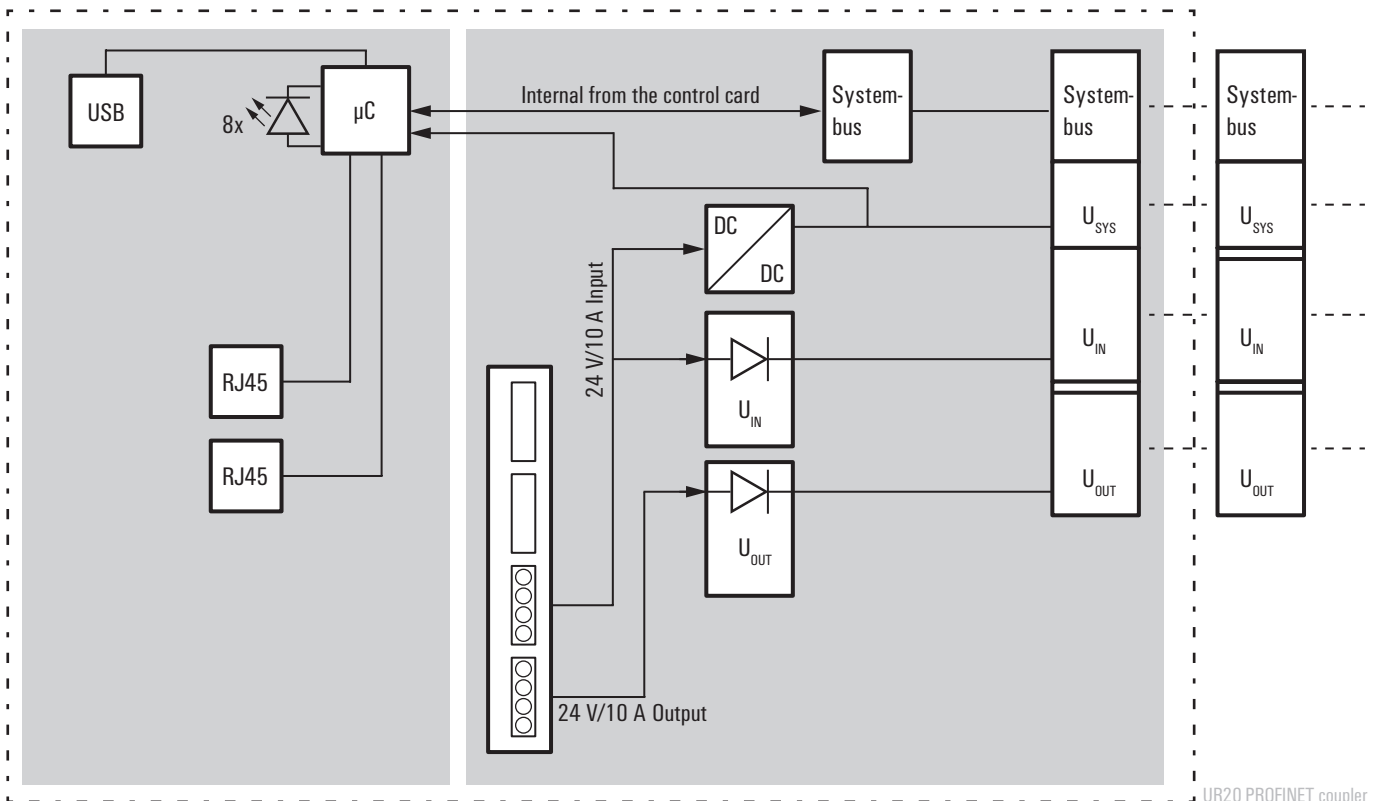
PROFINET is gaining in importance as a rapidly growing Industrial Ethernet Standard. By supporting real-time functionality (RT) and isochronous real-time functionality (IRT), the technology complies with modern system and application requirements to a large extent. The UR20-FBC-PN-IRT field bus coupler is a PROFINET-IRT participant certified by the PROFIBUS user organisation. It is able to connect up to 64 u-remote participants and two Ethernet ports with integrated switch to implement a line network structure.

The coupler can be activated with a system-independent web server application via the USB service interface or the Ethernet ports. All information, such as diagnoses, status values and parameters, can therefore be read out. All connected inputs can also be simulated or outputs set. The initial system power supply is already integrated in the field bus coupler. Power is supplied via two 4-pin connectors, separated into the input and output current paths.

Since the PROFIBUS products from Weidmüller make full use of all the latest technological possibilities, such as GSD files and diagnosis messages, they actively support your application in the most important tasks – from engineering and commissioning to faults.

More Performance. Simplified.

### Block diagram UR20-FBC-PN-IRT



UR20 PROFINET coupler



**PROFINET**

- 2 x 10 A current paths
- Web server
- System supply of 64 I/O-modules
- Temperature range -20... +60 °C
- PROFINET IRT/RT capable
- PROFINET diagnosis
- LLDP - Neighborhood detection

**UR20-FBC-PN-IRT**



**Technical data**

System data	
Connection	2 x RJ-45
Field bus protocol	PROFINET IRT
Process data	1024 Byte
Parameter data	1485 Byte
Diagnostic data	1485 Byte
Fast startup	yes
Max. number of I/O-modules	64
Configuration interface	USB 2.0
Transmission rate of field bus	100 Mbit/s
Transmission speed of u-remote system bus	48 Mbit/s
Supply	
Supply voltage for system and inputs	24 V DC +20 % / -15 %
Supply voltage for outputs	24 V DC +20 % / -15 %
Feed current for input modules, max.	10 A
Feed current for output modules, max.	10 A
Current consumption (I <sub>N</sub> in power segment of field bus coupler), typ.	116 mA
General data	
Weight	220 g
Dimensions (H/W/D)	120 mm (with catch lever 128 mm) x 52 mm x 76 mm
Download of GSD-file on <a href="http://www.weidmueller.com">www.weidmueller.com</a>	

2 x RJ-45
PROFINET IRT
1024 Byte
1485 Byte
1485 Byte
yes
64
USB 2.0
100 Mbit/s
48 Mbit/s
24 V DC +20 % / -15 %
24 V DC +20 % / -15 %
10 A
10 A
116 mA
220 g
120 mm (with catch lever 128 mm) x 52 mm x 76 mm

**Ordering data**

Module variants	
Field bus coupler, PROFINET IRT	

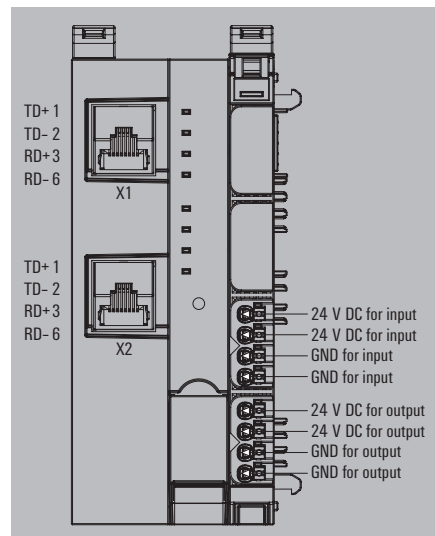
Type	Qty.	Order No.
UR20-FBC-PN-IRT	1	1334880000

**Accessories**

Accessories	
Coding elements	
Termination kit	
Swivel marker	
Connection marker for pusher custom printing	
Connection marker for pusher neutral	
Module marker for custom printing	
Module marker for neutral	
Thermotransfer version (Material: Polyester)	
Thermotransfer version (Material: Polyester)	
Paper version for Laserprinter	
Replacement parts	
Plug-in connector unit	
Note	

Type	Qty.	Order No.
KOSM BHZ5.00	100	1483050000
UR20-EBK-ACC	5	1346610000
UR20-SM-ACC	20	1339920000
PM 2.7/2.6 MC SDR	192	1323700000
PM 2.7/2.6 MC NE WS	960	1323710000
DEK 5/8-11.5 MC SDR	100	1341610000
DEK 5/8-11.5 MC NE WS	500	1341630000
THM UR20 GE * <sup>1)</sup>	1	1429910000
THM UR20 WS * <sup>1)</sup>	1	1429420000
ESO UR20 DIN A4 WS * <sup>2)</sup>	10	1429430000
UR20-PK-FBC-SP	5	1346580000

\*<sup>1)</sup> 1 roll = 1000 label = 1 Qty.  
 \*<sup>2)</sup> 1 sheet = 60 label = 1 Qty.



Product standard	IEC 61131-2
EMC	EN 61000
ATEX	EN 60079
UL (in preparation)	UL 508



Let's connect.

# EtherCAT field bus coupler

Web server tool;  
two RJ45 ports; 10/100 Mbit/s



IP 20  
A

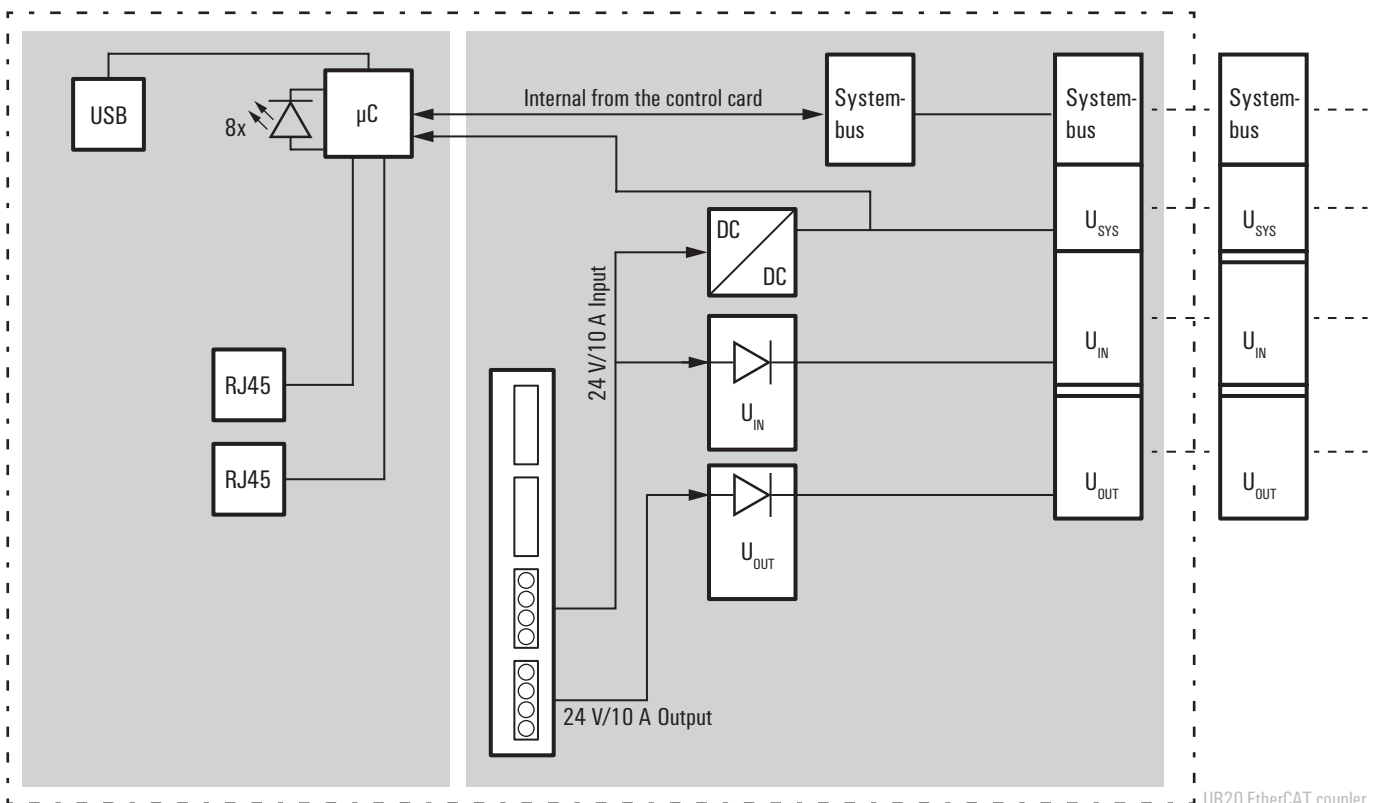
EtherCAT is a popular field bus standard for systems with stringent time requirements. The UR20-FBC-EC field bus coupler is an EtherCAT participant certified by the EtherCAT Technology Group. With options for connecting up to 64 u-remote participants, it serves as the head module for the u-remote system bus. The EtherCAT coupler has two Ethernet ports with integrated switch for implementing a line network structure.

The coupler can be activated with a system-independent web server application via the USB service interface or the Ethernet ports. All information, such as diagnoses, status values and parameters, can therefore be read out. All connected inputs can also be simulated or outputs set. The system's initial power supply is already integrated in the field bus coupler. Power is supplied via two 4-pin connectors, separated into the input and output current paths.

Since the EtherCAT products from Weidmüller make full use of all the latest technological possibilities, such as use of XML files, they actively support your application in the most important tasks – from engineering and commissioning to faults.

More Performance. Simplified.

### Block diagram UR20-FBC-EC



UR20 EtherCAT coupler

**EtherCAT**

- 2 x 10 A current paths
- Web server
- System supply of 64 I/O-modules
- Temperature range -20... +60 °C
- Various EtherCAT services

**UR20-FBC-EC**



**Technical data**

System data	
Connection	2 x RJ-45
Field bus protocol	EtherCAT
Process data	8 kByte
Parameter data	1.024 Byte
Diagnostic data	1.024 Byte
Max. number of modules	64
Configuration interface	USB 2.0
Transmission rate of field bus	100 Mbit/s
Transmission speed of u-remote system bus	48 Mbit/s
Supply	
Supply voltage for system and inputs	24 V DC +20 % / -15 %
Supply voltage for outputs	24 V DC +20 % / -15 %
Feed current for input modules, max.	10 A
Feed current for output modules, max.	10 A
Current consumption (I <sub>N</sub> in power segment of field bus coupler), typ.	130 mA
General data	
Weight	220 g
Dimensions (H/W/D)	120 mm (with catch lever 128 mm) x 52 mm x 76 mm
<a href="http://www.weidmueller.com">Download of GSD-file on www.weidmueller.com</a>	

2 x RJ-45
EtherCAT
8 kByte
1.024 Byte
1.024 Byte
64
USB 2.0
100 Mbit/s
48 Mbit/s
24 V DC +20 % / -15 %
24 V DC +20 % / -15 %
10 A
10 A
130 mA
220 g
120 mm (with catch lever 128 mm) x 52 mm x 76 mm

**Ordering data**

Module variants	
Field bus coupler, EtherCAT	

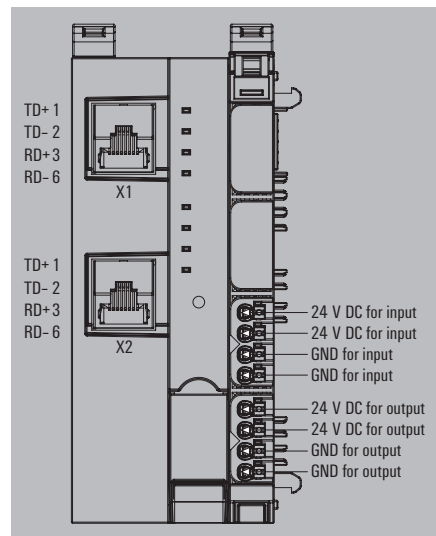
Type	Qty.	Order No.
UR20-FBC-EC	1	1334910000

**Accessories**

Coding elements	
Termination kit	
Swivel marker	
Connection marker for pusher custom printing	
Connection marker for pusher neutral	
Module marker for custom printing	
Module marker for neutral	
Thermotransfer version (Material: Polyester)	
Thermotransfer version (Material: Polyester)	
Paper version for Laserprinter	
Replacement parts	
Plug-in connector unit	
Note	

Type	Qty.	Order No.
KOSM BHZ5.00	100	1483050000
UR20-EBK-ACC	5	1346610000
UR20-SM-ACC	20	1339920000
PM 2.7/2.6 MC SDR	192	1323700000
PM 2.7/2.6 MC NE WS	960	1323710000
DEK 5/8-11.5 MC SDR	100	1341610000
DEK 5/8-11.5 MC NE WS	500	1341630000
THM UR20 GE * <sup>1)</sup>	1	1429910000
THM UR20 WS * <sup>1)</sup>	1	1429420000
ESD UR20 DIN A4 WS * <sup>2)</sup>	10	1429430000
UR20-PK-FBC-SP	5	1346580000

\*<sup>1)</sup> 1 roll = 1000 label = 1 Qty.  
\*<sup>2)</sup> 1 sheet = 60 label = 1 Qty.



Product standard	IEC 61131-2
EMC	EN 61000
ATEX	EN 60079
UL (in preparation)	UL 508



Let's connect.



# Modbus-TCP field bus coupler

Web server tool;  
two RJ45 ports; 10/100 Mbit/s

IP 20  
A

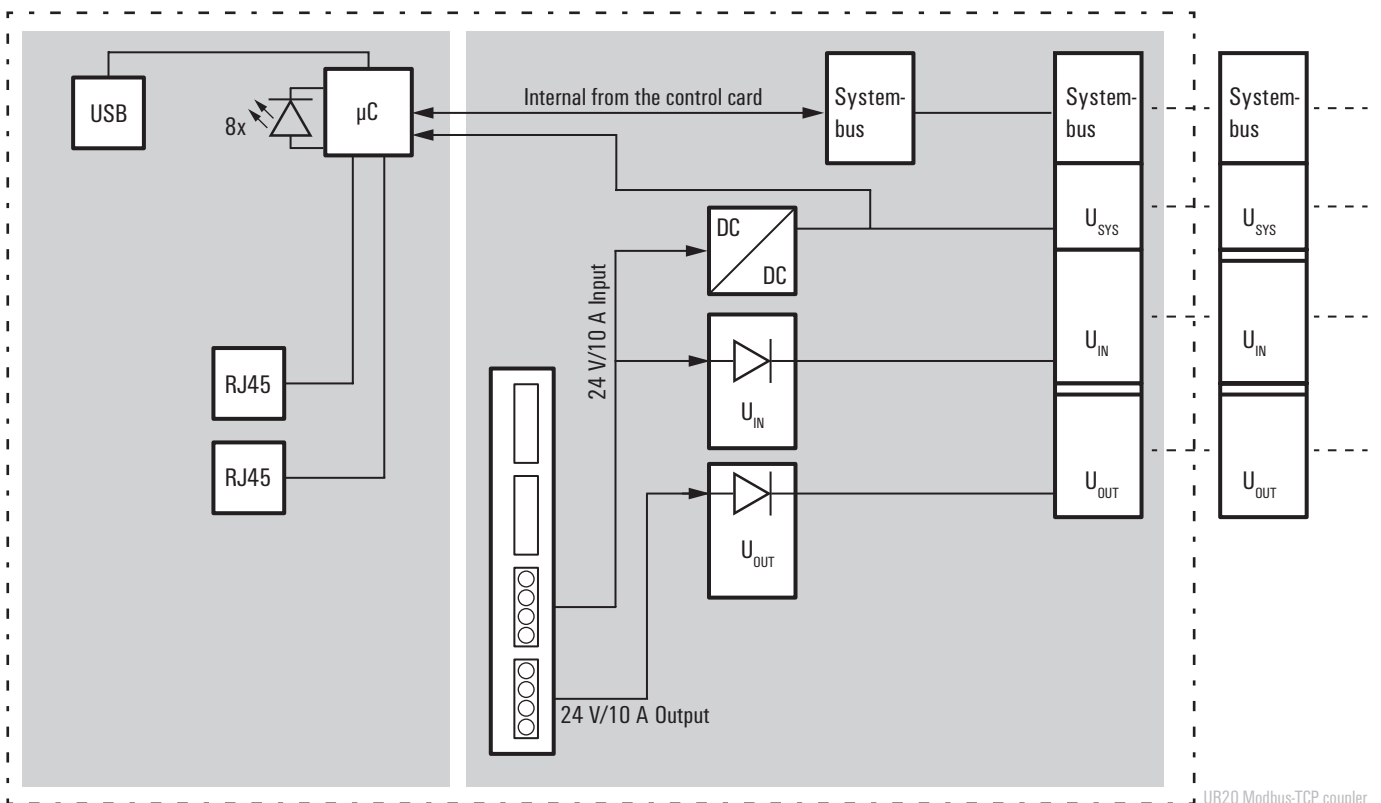
System safety around the globe is provided by the Modbus-TCP version, which is stated in IEC 61158 as an Industrial Ethernet Standard. The UR20-FBC-MOD-TCP from Weidmüller is a field bus coupler designed in accordance with IEC 61158. With options for connecting up to 64 u-remote participants, it serves as the head module for the u-remote system bus.

The coupler can be activated with a system-independent web server application via the USB service interface or the Ethernet ports. All information, such as diagnoses, status values and parameters, can therefore be read out. All connected inputs can also be simulated or outputs set. The system's initial power supply is already integrated in the field bus coupler. Power is supplied via two 4-pin connectors, separated into the input and output current paths.

Since the Modbus-TCP products from Weidmüller make full use of all the latest technological possibilities, such as diagnosis options, they actively support your application in the most important tasks – from engineering and commissioning to faults.

More Performance. Simplified.

**Block diagram UR20-FBC-MOD-TCP**



UR20 Modbus-TCP coupler

**Modbus-TCP**

- 2 x 10 A current paths
- Various Modbus services
- Web server
- System supply of 64 I/O-modules
- Temperature range -20... +60 °C

**UR20-FBC-MOD-TCP**



**Technical data**

System data	
Connection	2 x RJ-45
Field bus protocol	Modbus TCP
Process data	8 kByte
Parameter data	1.024 Byte
Diagnostic data	1.024 Byte
Max. number of modules	64
Configuration interface	USB 2.0
Transmission rate of field bus	100 Mbit/s
Transmission speed of u-remote system bus	48 Mbit/s
Supply	
Supply voltage for system and inputs	24 V DC +20 % / -15 %
Supply voltage for outputs	24 V DC +20 % / -15 %
Feed current for input modules, max.	10 A
Feed current for output modules, max.	10 A
Current consumption (I <sub>N</sub> in power segment of field bus coupler), typ.	112 mA
General data	
Weight	220 g
Dimensions (H/W/D)	120 mm (with catch lever 128 mm) x 52 mm x 76 mm

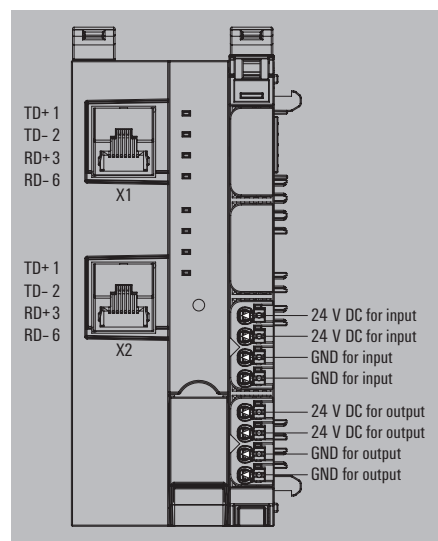
**Ordering data**

Module variants	Type	Qty.	Order No.
Field bus coupler, Modbus TCP	UR20-FBC-MOD-TCP	1	1334930000

**Accessories**

	Type	Qty.	Order No.
Coding elements	KOSM BHZ5.00	100	1483050000
Termination kit	UR20-EBK-ACC	5	1346610000
Swivel marker	UR20-SM-ACC	20	1339920000
Connection marker for pusher custom printing	PM 2.7/2.6 MC SDR	192	1323700000
Connection marker for pusher neutral	PM 2.7/2.6 MC NE WS	960	1323710000
Module marker for custom printing	DEK 5/8-11.5 MC SDR	100	1341610000
Module marker for neutral	DEK 5/8-11.5 MC NE WS	500	1341630000
Thermotransfer version (Material: Polyester)	THM UR20 GE * <sup>1)</sup>	1	1429910000
Thermotransfer version (Material: Polyester)	THM UR20 WS * <sup>1)</sup>	1	1429420000
Paper version for Laserprinter	ESD UR20 DIN A4 WS * <sup>2)</sup>	10	1429430000
Replacement parts			
Plug-in connector unit	UR20-PK-FBC-SP	5	1346580000

\*<sup>1)</sup> 1 roll = 1000 label = 1 Qty.  
\*<sup>2)</sup> 1 sheet = 60 label = 1 Qty.



Product standard	IEC 61131-2
EMC	EN 61000
ATEX	EN 60079
UL (in preparation)	UL 508



Let's connect.

# Digital input modules

## Positively-switching; Reverse polarity protection

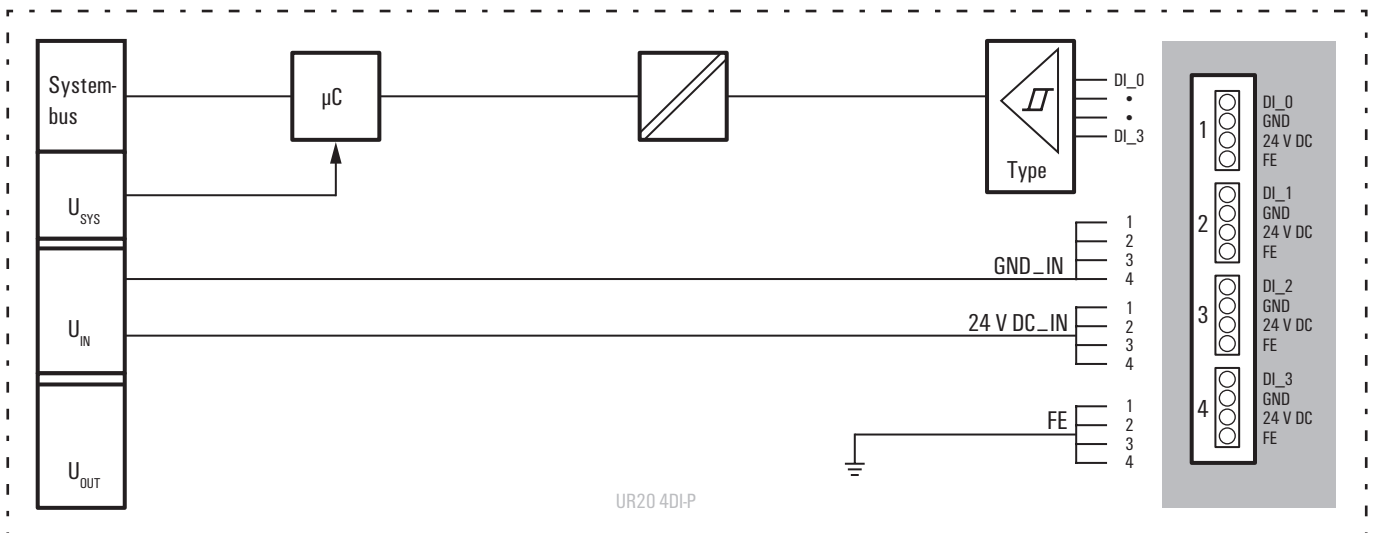
IP 20  
A

Digital input modules from Weidmüller are available in different versions and are used primarily to receive binary control signals from sensors, transmitters, switches or proximity switches. Thanks to their flexible design, they will satisfy your need for well coordinated project planning with reserve potential.

All modules are available with 4, 8 or 16 inputs and comply fully with IEC 61131-2. The digital inputs are for Type 1 and Type 3 sensors in accordance with the standard. With a maximum input frequency of up to 1 kHz, they are used in many different applications. The variant for PLC interface units enables rapid cabling to the proven Weidmüller interface sub-assemblies using system cables. This ensures rapid incorporation in your overall system. Two modules with timestamp function are able to capture binary signals and to provide a timestamp in 1  $\mu$ s resolution.

The module electronics supply the connected sensors from the input current path ( $U_{IN}$ ).

UR20-4DI-P block diagram by way of example





4 DI

- 4 digital inputs for sensors such as transmitters, switches and proximity sensors
- Positively-switching
- Reverse polarity protection
- 2-wire, 3-wire, 3-wire+FE connection
- Input filter can be set channel by channel
- Integrated sensor supply
- Types 1 and 3 acc. to IEC 61131-2
- Hysteresis > 1 V

UR20-4DI-P



Technical data

<b>System data</b>	
Interface	u-remote system bus
Transmission rate of system bus	48 Mbit/s
Galvanic isolation	yes, DC 500 V between current paths
<b>Supply</b>	
Voltage supply	24 V DC +20 % / -15 % via the system bus
Current consumption (I <sub>N</sub> in power segment of field bus coupler), typ.	8 mA
Current consumption (I <sub>N</sub> in the respective power segment)	< 12 mA + sensor feed
<b>Digital inputs</b>	
Number	4
Input Type	Types 1 and 3, IEC 61131-2
Input filter	adjustable, up to 40 ms
Input voltage, low	< 5 V
Input voltage, high	> 11 V
Sensor supply	yes
Sensor connection	2-wire, 3-wire, 3-wire+FE
Reverse polarity protection	yes
Module diagnosis	yes
Individual channel diagnosis	no
<b>General data</b>	
Weight	87 g
Dimensions (H/W/D)	120 mm (with catch lever 128 mm) x 11,5 mm x 76 mm

Ordering data

<b>Module variants</b>	
Digital input module, 4 channels	

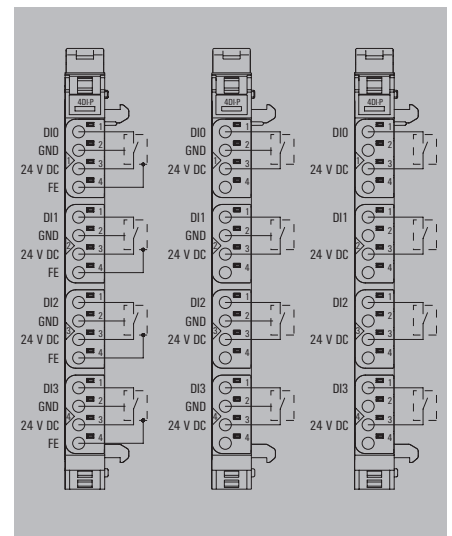
Type	Qty.	Order No.
UR20-4DI-P	1	1315170000

Accessories

<b>Replacement parts</b>	
Electronics module	UR20-4DI-P-SP 1 1346640000
Basic module	UR20-BM-SP 5 1350930000
Plug-in connector unit	UR20-PK-4W-SP 5 1346440000
<b>Note</b>	

Type	Qty.	Order No.
KOSM BHZ5.00	100	1483050000
UR20-EBK-ACC	5	1346610000
UR20-SM-ACC	20	1339920000
PM 2.7/2.6 MC SDR	192	1323700000
PM 2.7/2.6 MC NE WS	960	1323710000
DEK 5/8-11.5 MC SDR	100	1341610000
DEK 5/8-11.5 MC NE WS	500	1341630000
THM UR20 GE * <sup>1)</sup>	1	1429910000
THM UR20 WS * <sup>1)</sup>	1	1429420000
ESO UR20 DIN A4 WS * <sup>2)</sup>	10	1429430000

\*<sup>1)</sup> 1 roll = 1000 label = 1 Qty.  
\*<sup>2)</sup> 1 sheet = 60 label = 1 Qty.



Product standard	IEC 61131-2
EMC	EN 61000
ATEX	EN 60079
UL (in preparation)	UL 508



Let's connect.

8 DI-2W

- 8 digital inputs for sensors such as transmitters, switches and proximity sensors
- Positively-switching
- Reverse polarity protection
- 2-wire connection
- Input filter can be set channel by channel
- Types 1 and 3 acc. to IEC 61131-2
- Hysteresis > 1 V

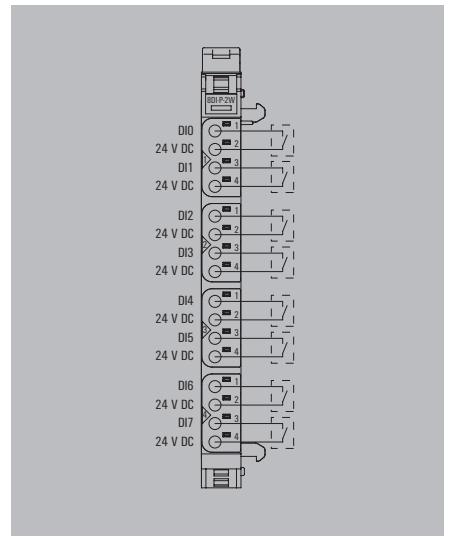
UR20-8DI-P-2W



Technical data

<b>System data</b>	
Interface	u-remote system bus
Transmission rate of system bus	48 Mbit/s
Galvanic isolation	yes, DC 500 V between current paths
<b>Supply</b>	
Voltage supply	24 V DC +20 % / -15 % via the system bus
Current consumption (I <sub>N</sub> in power segment of field bus coupler), typ.	8 mA
Current consumption (I <sub>N</sub> in the respective power segment)	< 22 mA
<b>Digital inputs</b>	
Number	8
Input Type	Types 1 and 3, IEC 61131-2
Input filter	adjustable, up to 40 ms
Input voltage, low	< 5 V
Input voltage, high	> 11 V
Sensor supply	no
Sensor connection	2-wire
Reverse polarity protection	yes
Module diagnosis	yes
Individual channel diagnosis	no
<b>General data</b>	
Weight	83 g
Dimensions (H/W/D)	120 mm (with catch lever) 128 mm x 11,5 mm x 76 mm

<b>u-remote system bus</b>		
Interface		u-remote system bus
Transmission rate of system bus		48 Mbit/s
Galvanic isolation		yes, DC 500 V between current paths
<b>Supply</b>		
Voltage supply		24 V DC +20 % / -15 % via the system bus
Current consumption (I <sub>N</sub> in power segment of field bus coupler), typ.		8 mA
Current consumption (I <sub>N</sub> in the respective power segment)		< 22 mA
<b>Digital inputs</b>		
Number		8
Input Type		Types 1 and 3, IEC 61131-2
Input filter		adjustable, up to 40 ms
Input voltage, low		< 5 V
Input voltage, high		> 11 V
Sensor supply		no
Sensor connection		2-wire
Reverse polarity protection		yes
Module diagnosis		yes
Individual channel diagnosis		no
<b>General data</b>		
Weight		83 g
Dimensions (H/W/D)		120 mm (with catch lever) 128 mm x 11,5 mm x 76 mm



Ordering data

<b>Module variants</b>	
Digital input module, 8 channels, 2-wire	

Type	Qty.	Order No.
UR20-8DI-P-2W	1	1315180000

Accessories

<b>Accessories</b>	
Coding elements	
Termination kit	
Swivel marker	
Connection marker for pusher custom printing	
Connection marker for pusher neutral	
Module marker for custom printing	
Module marker for neutral	
Thermotransfer version (Material: Polyester)	
Thermotransfer version (Material: Polyester)	
Paper version for Laserprinter	
<b>Replacement parts</b>	
Electronics module	
Basic module	
Plug-in connector unit	
<b>Note</b>	

Type	Qty.	Order No.
KOSM BHZ5.00	100	1483050000
UR20-EBK-ACC	5	1346610000
UR20-SM-ACC	20	1339920000
PM 2.7/2.6 MC SDR	192	1323700000
PM 2.7/2.6 MC NE WS	960	1323710000
DEK 5/8-11.5 MC SDR	100	1341610000
DEK 5/8-11.5 MC NE WS	500	1341630000
THM UR20 GE * <sup>1)</sup>	1	1429910000
THM UR20 WS * <sup>1)</sup>	1	1429420000
ESO UR20 DIN A4 WS * <sup>2)</sup>	10	1429430000
<b>Replacement parts</b>		
UR20-8DI-P-SP	1	1346650000
UR20-BM-SP	5	1350930000
UR20-PK-2W-P-SP	5	1346430000

\*<sup>1)</sup> 1 roll = 1000 label = 1 Qty.  
\*<sup>2)</sup> 1 sheet = 60 label = 1 Qty.

Product standard	IEC 61131-2
EMC	EN 61000
ATEX	EN 60079
UL (in preparation)	UL 508



Let's connect.

8 DI-3W

- 8 digital inputs for sensors such as transmitters, switches and proximity sensors
- Positively-switching
- Reverse polarity protection
- 2-wire and 3-wire connection
- Input filter can be set channel by channel
- Integrated sensor supply
- Types 1 and 3 acc. to IEC 61131-2
- Hysteresis > 1 V

UR20-8DI-P-3W



Technical data

System data	
Interface	u-remote system bus
Transmission rate of system bus	48 Mbit/s
Galvanic isolation	yes, DC 500 V between current paths
Supply	
Voltage supply	24 V DC +20 % / -15 % via the system bus
Current consumption (I <sub>N</sub> in power segment of field bus coupler), typ.	8 mA
Current consumption (I <sub>N</sub> in the respective power segment)	< 22 mA + sensor feed
Digital inputs	
Number	8
Input Type	Types 1 and 3, IEC 61131-2
Input filter	adjustable, up to 40 ms
Input voltage, low	< 5 V
Input voltage, high	> 11 V
Sensor supply	yes
Sensor connection	2-wire, 3-wire
Reverse polarity protection	yes
Module diagnosis	yes
Individual channel diagnosis	no
General data	
Weight	83 g
Dimensions (H/W/D)	120 mm (with catch lever) 128 mm x 11,5 mm x 76 mm

Type	Qty.	Order No.
UR20-8DI-P-3W	1	1394400000

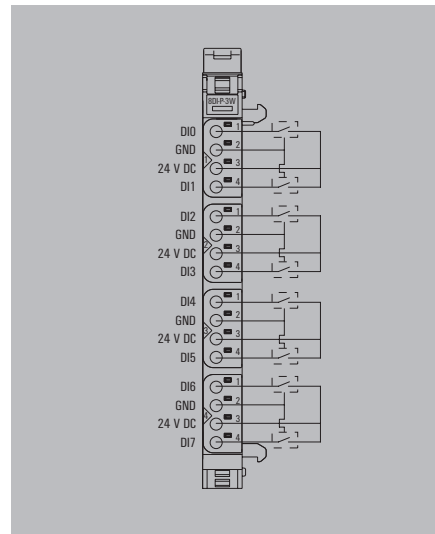
Ordering data

Module variants	
Digital input module, 8 channels, 3-wire	

Accessories

Coding elements	
Termination kit	
Swivel marker	
Connection marker for pusher custom printing	
Connection marker for pusher neutral	
Module marker for custom printing	
Module marker for neutral	
Thermotransfer version (Material: Polyester)	
Thermotransfer version (Material: Polyester)	
Paper version for Laserprinter	
Replacement parts	
Electronics module	
Basic module	
Plug-in connector unit	
Note	

Type	Qty.	Order No.
KOSM BHZ5.00	100	1483050000
UR20-EBK-ACC	5	1346610000
UR20-SM-ACC	20	1339920000
PM 2.7/2.6 MC SDR	192	1323700000
PM 2.7/2.6 MC NE WS	960	1323710000
DEK 5/8-11.5 MC SDR	100	1341610000
DEK 5/8-11.5 MC NE WS	500	1341630000
THM UR20 GE * <sup>1)</sup>	1	1429910000
THM UR20 WS * <sup>1)</sup>	1	1429420000
ESO UR20 DIN A4 WS * <sup>2)</sup>	10	1429430000
* <sup>1)</sup> 1 roll = 1000 label = 1 Qty.		
* <sup>2)</sup> 1 sheet = 60 label = 1 Qty.		
Type	Qty.	Order No.
UR20-8DI-P-3W-SP	1	1434220000
UR20-BM-SP	5	1350930000
UR20-PK-3W-P-SP	5	1411430000



Product standard	IEC 61131-2
EMC	EN 61000
ATEX	EN 60079
UL (in preparation)	UL 508



Let's connect.



16 DI

- 16 digital inputs
- Positively-switching
- Reverse polarity protection
- 1-wire connection
- Permanently set input filter, 3 ms
- Types 1 and 3 acc. to IEC 61131-2
- Hysteresis > 1 V

UR20-16DI-P



Technical data

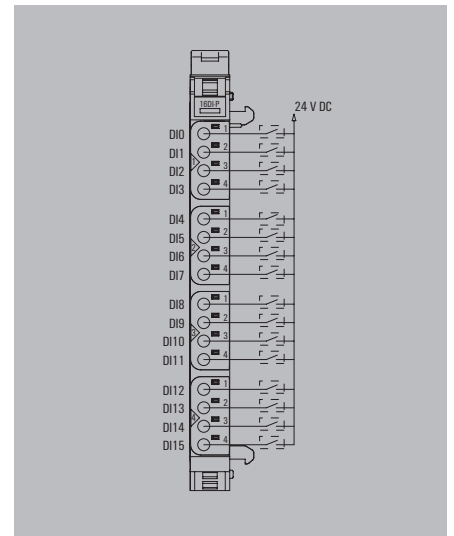
<b>System data</b>	
Interface	u-remote system bus
Transmission rate of system bus	48 Mbit/s
Galvanic isolation	yes, DC 500 V between current paths
<b>Supply</b>	
Voltage supply	24 V DC +20 % / -15 % via the system bus
Current consumption (I <sub>N</sub> in power segment of field bus coupler), typ.	8 mA
Current consumption (I <sub>N</sub> in the respective power segment)	< 42 mA
<b>Digital inputs</b>	
Number	16
Input Type	Types 1 and 3, IEC 61131-2
Input filter	3 ms
Input voltage, low	< 5 V
Input voltage, high	> 11 V
Sensor supply	no
Sensor connection	1-wire
Reverse polarity protection	yes
Module diagnosis	yes
Individual channel diagnosis	no
<b>General data</b>	
Weight	87 g
Dimensions (H/W/D)	120 mm (with catch lever) x 11,5 mm x 76 mm

Ordering data

<b>Module variants</b>			
Digital input module, 16 channels	<b>Type</b>	<b>Qty.</b>	<b>Order No.</b>
	UR20-16DI-P	1	131520000

Accessories

Coding elements	KOSM BHZ5.00	100	1483050000
Termination kit	UR20-EBK-ACC	5	1346610000
Swivel marker	UR20-SM-ACC	20	1339920000
Connection marker for pusher custom printing	PM 2.7/2.6 MC SDR	192	1323700000
Connection marker for pusher neutral	PM 2.7/2.6 MC NE WS	960	1323710000
Module marker for custom printing	DEK 5/8-11.5 MC SDR	100	1341610000
Module marker for neutral	DEK 5/8-11.5 MC NE WS	500	1341630000
Thermotransfer version (Material: Polyester)	THM UR20 GE * <sup>1)</sup>	1	1429910000
Thermotransfer version (Material: Polyester)	THM UR20 WS * <sup>1)</sup>	1	1429420000
Paper version for Laserprinter	ESO UR20 DIN A4 WS * <sup>2)</sup>	10	1429430000
<b>Replacement parts</b>			
Electronics module	UR20-16DI-P-SP	1	1346680000
Basic module	UR20-BM-SP	5	1350930000
Plug-in connector unit	UR20-PK-1W-SP	5	1346400000
<b>Note</b>			
* <sup>1)</sup> 1 roll = 1000 label = 1 Qty.			
* <sup>2)</sup> 1 sheet = 60 label = 1 Qty.			



Product standard	IEC 61131-2
EMC	EN 61000
ATEX	EN 60079
UL (in preparation)	UL 508



Let's connect.

16 DI-PLC

- 16 digital inputs
- Positively-switching
- Reverse polarity protection
- For connecting a PLC interface element
- Permanently set input filter, 3 ms
- Types 1 and 3 acc. to IEC 61131-2
- Hysteresis > 1 V

UR20-16DI-P-PLC-INT



Technical data

<b>System data</b>	
Interface	u-remote system bus
Transmission rate of system bus	48 Mbit
Galvanic isolation	yes, DC 500 V between current paths
<b>Supply</b>	
Voltage supply	24 V DC +20 % / -15 % via the system bus
Current consumption (I <sub>N</sub> in power segment of field bus coupler), typ.	8 mA
Current consumption (I <sub>N</sub> external)	< 42 mA
<b>Digital inputs</b>	
Number	16
Input Type	Types 1 and 3, IEC 61131-2
Input filter	3 ms
Input voltage, low	< 5 V
Input voltage, high	> 11 V
Sensor supply	external
Sensor connection	PLC interface
Reverse polarity protection	yes
Module diagnosis	yes
Individual channel diagnosis	no
<b>General data</b>	
Weight	73 g
Dimensions (H/W/D)	120 mm (with catch lever) 128 mm x 11,5 mm x 76 mm

<b>System data</b>		
Interface	u-remote system bus	
Transmission rate of system bus	48 Mbit	
Galvanic isolation	yes, DC 500 V between current paths	
<b>Supply</b>		
Voltage supply	24 V DC +20 % / -15 % via the system bus	
Current consumption (I <sub>N</sub> in power segment of field bus coupler), typ.	8 mA	
Current consumption (I <sub>N</sub> external)	< 42 mA	
<b>Digital inputs</b>		
Number	16	
Input Type	Types 1 and 3, IEC 61131-2	
Input filter	3 ms	
Input voltage, low	< 5 V	
Input voltage, high	> 11 V	
Sensor supply	external	
Sensor connection	PLC interface	
Reverse polarity protection	yes	
Module diagnosis	yes	
Individual channel diagnosis	no	
<b>General data</b>		
Weight	73 g	
Dimensions (H/W/D)	120 mm (with catch lever) 128 mm x 11,5 mm x 76 mm	

Ordering data

<b>Module variants</b>	
Digital input module, 16 channels, PLC interface	

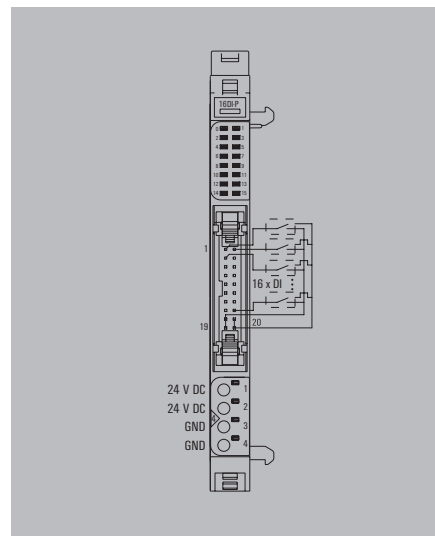
Type	Qty.	Order No.
UR20-16DI-P-PLC-INT	1	1315210000

Accessories

<b>Accessories</b>	
Coding elements	
Termination kit	
Swivel marker	
Connection marker for pusher custom printing	
Connection marker for pusher neutral	
Module marker for custom printing	
Module marker for neutral	
Thermotransfer version (Material: Polyester)	
Thermotransfer version (Material: Polyester)	
Paper version for Laserprinter	
<b>Replacement parts</b>	
Electronics module	
Basic module	
Plug-in connector unit	
PLC interface element	
<b>Note</b>	

Type	Qty.	Order No.
KOSM BHZ5.00	100	1483050000
UR20-EBK-ACC	5	1346610000
UR20-SM-ACC	20	1339920000
PM 2.7/2.6 MC SDR	192	1323700000
PM 2.7/2.6 MC NE WS	960	1323710000
DEK 5/8-11.5 MC SDR	100	1341610000
DEK 5/8-11.5 MC NE WS	500	1341630000
THM UR20 GE * <sup>1)</sup>	1	1429910000
THM UR20 WS * <sup>1)</sup>	1	1429420000
ESO UR20 DIN A4 WS * <sup>2)</sup>	10	1429430000
<b>Replacement parts</b>		
UR20-16DI-P-PLC-INT-SP	1	1346690000
UR20-BM-SP	5	1350930000
UR20-PK-PLC-SP	5	1346590000
RS 16IO 1W H S	1	9445700000

\*<sup>1)</sup> 1 roll = 1000 label = 1 Qty.  
\*<sup>2)</sup> 1 sheet = 60 label = 1 Qty.



<b>Product standard</b>	
Product standard	IEC 61131-2
EMC	EN 61000
ATEX	EN 60079
UL (in preparation)	UL 508



Let's connect.

2DI-P-TS

- 2 digital inputs for sensors such as transmitters, switches and proximity sensors
- Positively-switching
- 2-wire, 3-wire, 3-wire+FE connection
- Input filter can be set channel by channel
- Types 1 and 3 acc. to IEC 61131-2
- 1 µs Timestamp resolution
- Hysteresis > 1 V

UR20-2DI-P-TS



Technical data

System data	
Interface	u-remote system bus
Transmission rate of system bus	48 Mbit/s
Galvanic isolation	yes, DC 500 V between current paths
Supply	
Voltage supply	24 V DC +20 % / -15 % via the system bus
Current consumption (I <sub>N</sub> in power segment of field bus coupler), typ.	8 mA
Current consumption (I <sub>N</sub> in the respective power segment)	< 10 mA + sensor feed
Digital Inputs	
Number	2
Input Type	Type 1 und 3, IEC 61131-2
Input filter	adjustable, up to 40 ms
Input voltage, low	< 5 V
Input voltage, high	> 11 V
Sensor supply	yes
Sensor connection	2-wire, 3-wire, 3-wire+FE
Reverse polarity protection	yes
Module diagnosis	yes
Individual channel diagnosis	no
Data width Timestamp	16 Bit
Resolution Timestamp	1 µs
General data	
Weight	83 g
Dimensions (H/W/D)	120 mm (with catch lever 128 mm) x 11.5 mm x 76 mm

Type	Qty.	Order No.
UR20-2DI-P-TS	1	1460140000

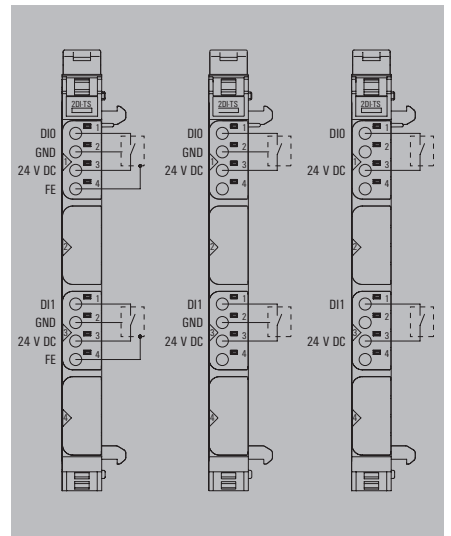
Ordering data

Module variants	
Digital input module, 2 channels, Timestamp	

Accessories

Accessories	
Coding elements	KDSM BHZ5.00
Termination kit	UR20-EBK-ACC
Swivel marker	UR20-SM-ACC
Connection marker for pusher custom printing	PM 2.7/2.6 MC SDR
Connection marker for pusher neutral	PM 2.7/2.6 MC NE WS
Module marker for custom printing	DEK 5/8-11.5 MC SDR
Module marker for neutral	DEK 5/8-11.5 MC NE WS
Thermotransfer version (Material: Polyester)	THM UR20 GE * <sup>1)</sup>
Thermotransfer version (Material: Polyester)	THM UR20 WS * <sup>1)</sup>
Paper version for Laserprinter	ESO UR20 DIN A4 WS * <sup>2)</sup>
Replacement parts	
Electronics module	UR20-2DI-P-TS-SP
Basic module	UR20-BM-SP
Plug-in connector unit	UR20-PK-PWM-SP
Note	
* <sup>1)</sup> 1 roll = 1000 label = 1 Qty.	
* <sup>2)</sup> 1 sheet = 60 label = 1 Qty.	

Type	Qty.	Order No.
KDSM BHZ5.00	100	1483050000
UR20-EBK-ACC	5	1346610000
UR20-SM-ACC	20	1339920000
PM 2.7/2.6 MC SDR	192	1323700000
PM 2.7/2.6 MC NE WS	960	1323710000
DEK 5/8-11.5 MC SDR	100	1341610000
DEK 5/8-11.5 MC NE WS	500	1341630000
THM UR20 GE * <sup>1)</sup>	1	1429910000
THM UR20 WS * <sup>1)</sup>	1	1429420000
ESO UR20 DIN A4 WS * <sup>2)</sup>	10	1429430000
UR20-2DI-P-TS-SP	1	1463690000
UR20-BM-SP	5	1350930000
UR20-PK-PWM-SP	5	1346550000



Product standard	IEC 61131-2
EMC	EN 61000
ATEX	EN 60079
UL (in preparation)	UL 508



Let's connect.

## 4DI-P-TS

- 4 digital inputs for sensors such as transmitters, switches and proximity sensors
- Positively-switching
- 2-wire, 3-wire, 3-wire+FE connection
- Input filter can be set channel by channel
- Types 1 and 3 acc. to IEC 61131-2
- 1  $\mu$ s Timestamp resolution
- Hysteresis > 1 V

## UR20-4DI-P-TS



## Technical data

System data	
Interface	u-remote system bus
Transmission rate of system bus	48 Mbit/s
Galvanic isolation	yes, DC 500 V between current paths
Supply	
Voltage supply	24 V DC +20 % / -15 % via the system bus
Current consumption ( $I_{IN}$ in power segment of field bus coupler), typ.	8 mA
Current consumption ( $I_{IN}$ in the respective power segment)	< 10 mA + sensor feed
Digital Inputs	
Number	4
Input Type	Types 1 and 3, IEC 61131-2
Input filter	adjustable, up to 40 ms
Input voltage, low	< 5 V
Input voltage, high	> 11 V
Sensor supply	yes
Sensor connection	2-wire, 3-wire, 3-wire+FE
Reverse polarity protection	yes
Module diagnosis	yes
Individual channel diagnosis	no
Data width Timestamp	16 Bit
Resolution Timestamp	1 $\mu$ s
General data	
Weight	87 g
Dimensions (H/W/D)	120 mm (with catch lever 128 mm) x 11.5 mm x 76 mm

## Ordering data

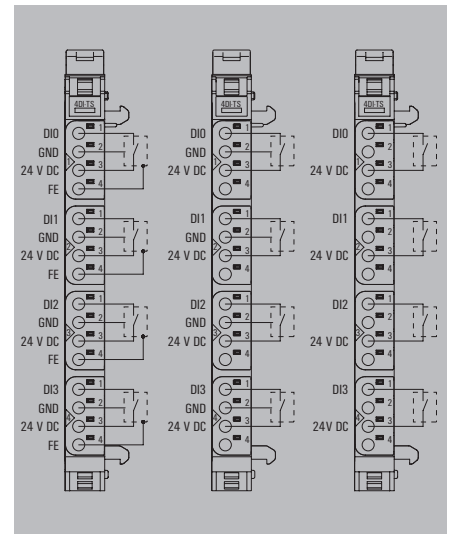
Module variants
Digital input module, 4 channels, Timestamp

Type	Qty.	Order No.
UR20-4DI-P-TS	1	1460150000

## Accessories

Type	Qty.	Order No.
Coding elements	100	1483050000
Termination kit	5	1346610000
Swivel marker	20	1339920000
Connection marker for pusher custom printing	192	1323700000
Connection marker for pusher neutral	960	1323710000
Module marker for custom printing	100	1341610000
Module marker for neutral	500	1341630000
Thermotransfer version (Material: Polyester)	1	1429910000
Thermotransfer version (Material: Polyester)	1	1429420000
Paper version for Laserprinter	10	1429430000
Replacement parts		
Electronics module	1	1463680000
Basic module	5	1350930000
Plug-in connector unit	5	1346440000
Note		
* <sup>1</sup> 1 roll = 1000 label = 1 Qty.		
* <sup>2</sup> 1 sheet = 60 label = 1 Qty.		

Product standard	IEC 61131-2
EMC	EN 61000
ATEX	EN 60079
ATEXUL (in preparation)	UL 508



Let's connect.

# Digital output modules

## Positively-switching; short-circuit-proof; up to 3-wire+FE

IP 20  
A

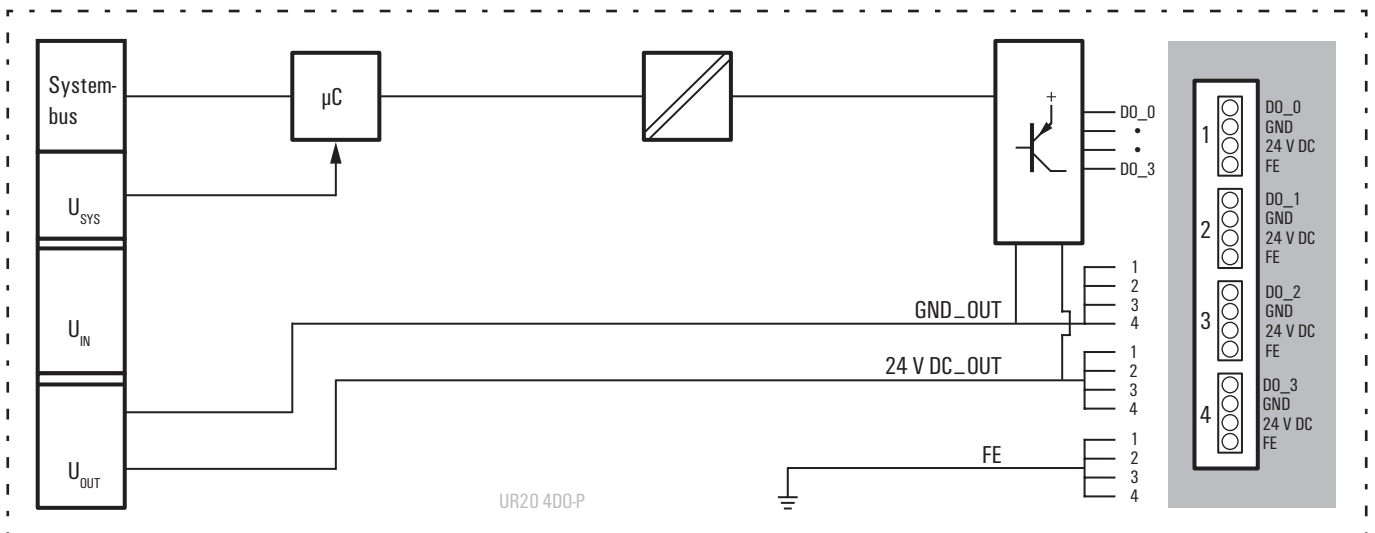
Digital output modules are available in the following variants: 4DO, 8DO with 2-wire technology, 16DO with or without PLC interface connection. They are used primarily for incorporating decentralised actuators.

All outputs are designed for DC-13 actuators acc. to DIN EN 60947-5-1 and IEC 61131-2 specification. Just like the digital input modules, frequencies of up to 1 kHz are possible. Maximum system safety is ensured by protecting the outputs. This consists of an automatic restart following a short-circuit. Clearly recognisable LEDs also signal the status of the entire module as well as individual channels.

In addition to the standard applications of the digital output modules, the portfolio also includes special variants, such as the 4RO-SSR module for rapidly switching applications. Fitted with solid state technology, 0.5 A is available for each output. Furthermore, there is also the 4RO-CO relay module for power-intensive applications. This is equipped with four change-over contacts, optimised for a switching voltage of 277 V AC and designed for a switching current of 6 A. To serve negative switching requirements there is a parameterizable version of the 4DO Module.

The module electronics supply the connected actuators from the output current path ( $U_{OUT}$ ).

### UR20-4DO-P block diagram by way of example





## 4 DO

- 4 digital outputs
- Can be loaded up to 0.5 A per channel
- Short-circuit-proof
- 2-wire, 3-wire, 3-wire+FE connection
- Positively-switching
- DC-13 load
- IEC 61131-2 compliant

## UR20-4DO-P



## Technical data

## System data

Interface  
Transmission rate of system bus  
Galvanic isolation

## Supply

Voltage supply  
Current consumption ( $I_{IN}$  in power segment of field bus coupler), typ.  
Current consumption ( $I_{OUT}$  in the respective power segment)

## Digital outputs

Number  
Type of load  
Response time, high  
Response time, low  
Output current per channel, max.  
Output current per module, max.  
Switching frequency max.  
Resistive load (min. 47  $\Omega$ )  
Inductive load (DC 13)  
Lamp load (12 W)

## Actuator connection

Short-circuit-proof  
Nonreactiv  
Module diagnosis  
Individual channel diagnosis  
Shut-down energy (inductive)  
Response time of protective circuit (current limitation)

## General data

Weight  
Dimensions (H/W/D)

u-remote system bus

48 Mbit/s

yes, DC 500 V between current paths

24 V DC +20 % / -15 % via the system bus

8 mA

10 mA + load

4

ohmic, inductive, lamp load

100  $\mu$ s

250  $\mu$ s

0.5 A

2 A

1 kHz

2 kHz

1 kHz

2-wire, 3-wire, 3-wire+FE

thermal

yes

yes

no

150 mJ / channel

< 100  $\mu$ s (ambient temperature dependent)

86 g

120 mm (with catch lever 128 mm) x 11,5 mm x 76 mm

## Ordering data

## Module variants

Digital output module, 4 channels

Type	Qty.	Order No.
UR20-4DO-P	1	1315220000

## Accessories

Coding elements  
Termination kit  
Swivel marker  
Connection marker for pusher custom printing  
Connection marker for pusher neutral  
Module marker for custom printing  
Module marker for neutral  
Thermotransfer version (Material: Polyester)  
Thermotransfer version (Material: Polyester)  
Paper version for Laserprinter

## Replacement parts

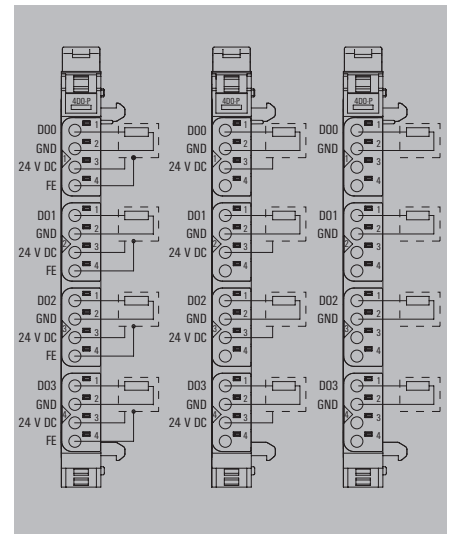
Electronics module  
Basic module  
Plug-in connector unit

## Note

Type	Qty.	Order No.
KOSM BHZ5.00	100	1483050000
UR20-EBK-ACC	5	1346610000
UR20-SM-ACC	20	1339920000
PM 2.7/2.6 MC SDR	192	1323700000
PM 2.7/2.6 MC NE WS	960	1323710000
DEK 5/8-11.5 MC SDR	100	1341610000
DEK 5/8-11.5 MC NE WS	500	1341630000
THM UR20 GE * <sup>1)</sup>	1	1429910000
THM UR20 WS * <sup>1)</sup>	1	1429420000
ESD UR20 DIN A4 WS * <sup>2)</sup>	10	1429430000

UR20-4DO-P-SP	1	1346700000
UR20-BM-SP	5	1350930000
UR20-PK-4W-SP	5	1346440000

\*<sup>1)</sup> 1 roll = 1000 label = 1 Qty.  
\*<sup>2)</sup> 1 sheet = 60 label = 1 Qty.



Product standard	IEC 61131-2
EMC	EN 61000
ATEX	EN 60079
UL (in preparation)	UL 508



Let's connect.

4 DO-2A

- 4 digital outputs
- Module can be loaded up to 8 A
- Can be loaded up to 2 A per channel
- Short-circuit-proof
- 2-wire, 3-wire, 3-wire+FE connection
- Positively-switching
- DC-13 load
- IEC 61131-2 compliant

UR20-4DO-P-2A



Technical data

System data	
Interface	u-remote system bus
Transmission rate of system bus	48 Mbit/s
Galvanic isolation	yes, DC 500 V between current paths
Supply	
Voltage supply	24 V DC +20 % / -15 % via the system bus
Current consumption (I <sub>IN</sub> in power segment of field bus coupler), typ.	8 mA
Current consumption (I <sub>OUT</sub> in the respective power segment)	10 mA + load
Digital outputs	
Number	4
Type of load	ohmic, inductive, lamp load
Response time, high	100 µs
Response time, low	250 µs
Output current per channel, max.	2 A
Output current per module, max.	8 A
Switching frequency max.	
	1 kHz
	2 kHz
	1 kHz
Actuator connection	2-wire, 3-wire, 3-wire+FE
Short-circuit-proof	thermal
Nonreactiv	yes
Module diagnosis	yes
Individual channel diagnosis	no
Shut-down energy (inductive)	150 mJ / channel
Response time of protective circuit (current limitation)	< 100 µs (ambient temperature dependent)
General data	
Weight	86 g
Dimensions (H/W/D)	120 mm (with catch lever 128 mm) x 11,5 mm x 76 mm

Ordering data

Module variants	
Digital output module, 4 channels, 2 A	

Type	Qty.	Order No.
UR20-4DO-P-2A	1	1315230000

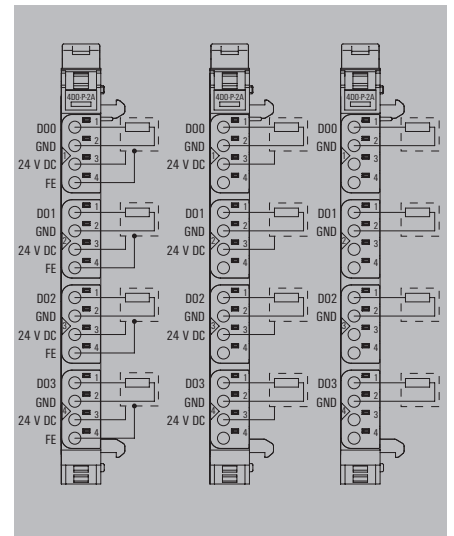
Accessories

Coding elements	
Termination kit	
Swivel marker	
Connection marker for pusher custom printing	
Connection marker for pusher neutral	
Module marker for custom printing	
Module marker for neutral	
Thermotransfer version (Material: Polyester)	
Thermotransfer version (Material: Polyester)	
Paper version for Laserprinter	

Type	Qty.	Order No.
KOSM BHZ5 00	100	1483050000
UR20-EBK-ACC	5	1346610000
UR20-SM-ACC	20	1339920000
PM 2.7/2.6 MC SDR	192	1323700000
PM 2.7/2.6 MC NE WS	960	1323710000
DEK 5/8-11.5 MC SDR	100	1341610000
DEK 5/8-11.5 MC NE WS	500	1341630000
THM UR20 GE * <sup>1)</sup>	1	1429910000
THM UR20 WS * <sup>1)</sup>	1	1429420000
ESO UR20 DIN A4 WS * <sup>2)</sup>	10	1429430000

Replacement parts	
Electronics module	UR20-4DO-P-2A-SP 1 1346710000
Basic module	UR20-BM-SP 5 1350930000
Plug-in connector unit	UR20-PK-4W-SP 5 1346440000
Note	

* <sup>1)</sup> 1 roll = 1000 label = 1 Qty.
* <sup>2)</sup> 1 sheet = 60 label = 1 Qty.



Product standard	IEC 61131-2
EMC	EN 61000
ATEX	EN 60079
UL (in preparation)	UL 508



Let's connect.

**4D0-PN-2A**

- 4 digital outputs
- Module can be loaded up to 8 A
- Can be loaded up to 2 A per channel
- Short-circuit-proof
- Positively or negatively switching
- 2-wire, 3-wire, 3-wire+FE connection
- IEC 61131-2 compliant

**UR20-4D0-PN-2A****Technical data****System data**

Interface  
Transmission rate of system bus  
Galvanic isolation

**Supply**

Voltage supply  
Current consumption ( $I_{IN}$  in power segment of field bus coupler), typ.  
Current consumption ( $I_{OUT}$  in the respective power segment)

**Digital Inputs**

Number  
Positively or negatively switching  
Type of load  
Response time, high  
Response time, low  
Output current per channel, max.  
Output current per module, max.  
Switching frequency max.  
Resistive load (min. 47 Ohm)  
Inductive load (DC 13)  
Lamp load (12 W)

Actuator connection  
Short-circuit-proof  
Nonreactiv  
Module diagnosis  
Individual channel diagnosis  
Shut-down energy (inductive)  
Response time of protective circuit (current limitation)

**General data**

Weight  
Dimensions (H/W/D)

u-remote system bus  
48 Mbit/s  
yes, DC 500 V between current paths

24 V DC +20 % / -15 % via the system bus  
8 mA  
10 mA + load

4  
parameterise  
ohmic, inductive, lamp load  
100  $\mu$ s  
250  $\mu$ s  
2 A  
8 A

1 kHz  
2 Hz  
1 kHz  
2-wire, 3-wire, 3-wire+FE

thermal  
yes  
yes  
no  
150mJ / channel  
< 100  $\mu$ s (ambient temperature dependent)

87 g  
120 mm (with catch lever 128 mm) x 11.5 mm x 76 mm

**Ordering data****Module variants**

Digital output module, 4 channels, positively or negatively switching

Type	Qty.	Order No.
UR20-4D0-PN-2A	1	1394420000

**Accessories**

Coding elements  
Termination kit  
Swivel marker  
Connection marker for pusher custom printing  
Connection marker for pusher neutral  
Module marker for custom printing  
Module marker for neutral  
Thermotransfer version (Material: Polyester)  
Thermotransfer version (Material: Polyester)  
Paper version for Laserprinter

**Ersatzteile**

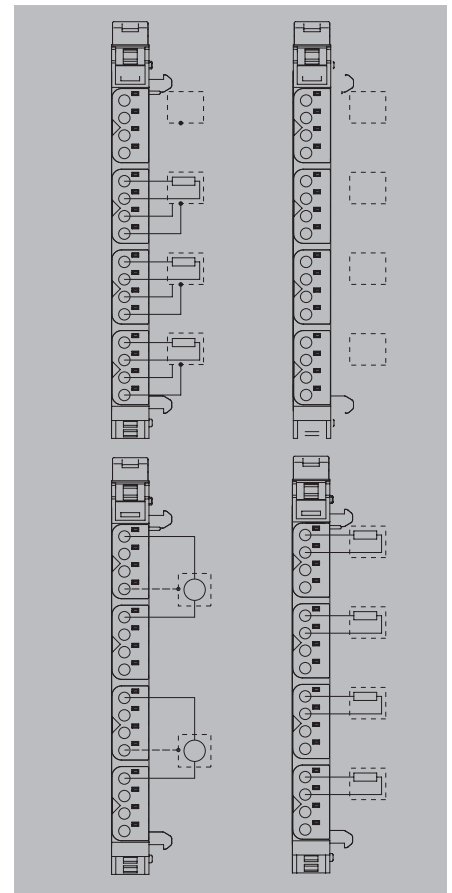
Electronics module  
Basic module  
Plug-in connector unit

**Note**

Type	Qty.	Order No.
KDSM BHZ5.00	100	1483050000
UR20-EBK-ACC	5	1346610000
UR20-SM-ACC	20	1339920000
PM 2.7/2.6 MC SDR	192	1323700000
PM 2.7/2.6 MC NE WS	960	1323710000
DEK 5/8-11.5 MC SDR	100	1341610000
DEK 5/8-11.5 MC NE WS	500	1341630000
THM UR20 GE <sup>*1)</sup>	1	1429910000
THM UR20 WS <sup>*1)</sup>	1	1429420000
ESO UR20 DIN A4 WS <sup>*2)</sup>	10	1429430000

UR20-4D0-PN-2A-SP	1	1480950000
UR20-BM-SP	5	1350930000
UR20-PK-4W-SP	5	1346440000

<sup>\*1)</sup> 1 roll = 1000 label = 1 Qty.  
<sup>\*2)</sup> 1 sheet = 60 label = 1 Qty.



Product standard	IEC 61131-2
EMC	EN 61000
ATEX	EN 60079
ATEXUL (in preparation)	UL 508



Let's connect.

8 DO

- 8 digital outputs
- Can be loaded up to 0.5 A per channel
- Short-circuit-proof
- 2-wire connection
- Positively-switching
- DC-13 load
- IEC 61131-2 compliant

UR20-8DO-P



Technical data

System data	
Interface	u-remote system bus
Transmission rate of system bus	48 Mbit/s
Galvanic isolation	yes, DC 500 V between current paths
Supply	
Voltage supply	24 V DC +20 % / -15 % via the system bus
Current consumption (I <sub>IN</sub> in power segment of field bus coupler), typ.	8 mA
Current consumption (I <sub>OUT</sub> in the respective power segment)	15 mA + load
Digital outputs	
Number	8
Type of load	ohmic, inductive, lamp load
Response time, high	100 µs
Response time, low	250 µs
Output current per channel, max.	0.5 A
Output current per module, max.	4 A
Switching frequency max.	
	Resistive load (min. 47 Ω)
	Inductive load (DC 13)
	Lamp load (12 W)
Actuator connection	2-wire
Short-circuit-proof	thermal
Nonreactiv	yes
Module diagnosis	yes
Individual channel diagnosis	no
Shut-down energy (inductive)	150 mJ / channel
Response time of protective circuit (current limitation)	< 100 µs (ambient temperature dependent)
General data	
Weight	87 g
Dimensions (H/W/D)	120 mm (with catch lever 128 mm) x 11,5 mm x 76 mm

Type	Qty.	Order No.
UR20-8DO-P	1	1315240000

Ordering data

Module variants	
Digital output module, 8 channels	

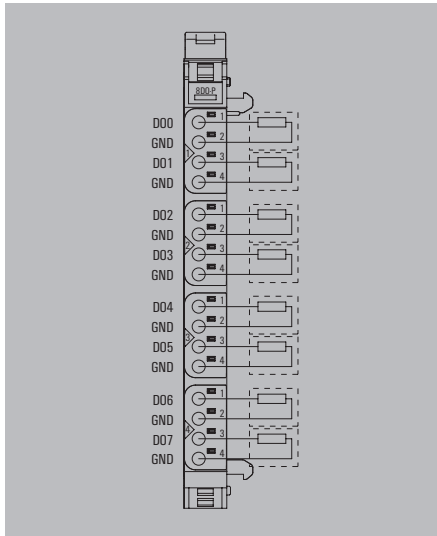
Accessories

Coding elements	
Termination kit	
Swivel marker	
Connection marker for pusher custom printing	
Connection marker for pusher neutral	
Module marker for custom printing	
Module marker for neutral	
Thermotransfer version (Material: Polyester)	
Thermotransfer version (Material: Polyester)	
Paper version for Laserprinter	

Replacement parts		
Electronics module	UR20-8DO-P-SP	1 1346720000
Basic module	UR20-BM-SP	5 1350930000
Plug-in connector unit	UR20-PK-2W-P-SP	5 1346430000
<b>Note</b>		

Type	Qty.	Order No.
KOSM BHZ5 00	100	1483050000
UR20-EBK-ACC	5	1346610000
UR20-SM-ACC	20	1339920000
PM 2.7/2.6 MC SDR	192	1323700000
PM 2.7/2.6 MC NE WS	960	1323710000
DEK 5/8-11.5 MC SDR	100	1341610000
DEK 5/8-11.5 MC NE WS	500	1341630000
THM UR20 GE * <sup>1)</sup>	1	1429910000
THM UR20 WS * <sup>1)</sup>	1	1429420000
ESD UR20 DIN A4 WS * <sup>2)</sup>	10	1429430000

\*<sup>1)</sup> 1 roll = 1000 label = 1 Qty.  
\*<sup>2)</sup> 1 sheet = 60 label = 1 Qty.



Product standard	IEC 61131-2
EMC	EN 61000
ATEX	EN 60079
ATEXUL (in preparation)	UL 508



Let's connect.

## 16 DO

- 16 digital outputs
- Can be loaded up to 0.5 A per channel
- Short-circuit-proof
- 1-wire connection
- Positively-switching
- DC-13 load
- IEC 61131-2 compliant

## UR20-16DO-P



## Technical data

System data	
Interface	u-remote system bus
Transmission rate of system bus	48 Mbit/s
Galvanic isolation	yes, DC 500 V between current paths
Supply	
Voltage supply	24 V DC +20 % / -15 % via the system bus
Current consumption ( $I_{IN}$ in power segment of field bus coupler), typ.	8 mA
Current consumption ( $I_{OUT}$ in the respective power segment)	20 mA + load
Digital outputs	
Number	16
Type of load	ohmic, inductive, lamp load
Response time, high	100 $\mu$ s
Response time, low	250 $\mu$ s
Output current per channel, max.	0.5 A
Output current per module, max.	8 A
Switching frequency max.	
	Resistive load (min. 47 $\Omega$ )
	Inductive load (DC 13)
	Lamp load (12 W)
Actuator connection	1-wire
Short-circuit-proof	thermal
Nonreactiv	yes
Module diagnosis	yes
Individual channel diagnosis	no
Shut-down energy (inductive)	150 mJ / channel
Response time of protective circuit (current limitation)	< 100 $\mu$ s (ambient temperature dependent)
General data	
Weight	83 g
Dimensions (H/W/D)	120 mm (with catch lever 128 mm) x 11,5 mm x 76 mm

## Ordering data

Module variants	
Digital output module, 16 channels	

Type	Qty.	Order No.
UR20-16DO-P	1	1315250000

## Accessories

Coding elements	
Termination kit	
Swivel marker	
Connection marker for pusher custom printing	
Connection marker for pusher neutral	
Module marker for custom printing	
Module marker for neutral	
Thermotransfer version (Material: Polyester)	
Thermotransfer version (Material: Polyester)	
Paper version for Laserprinter	

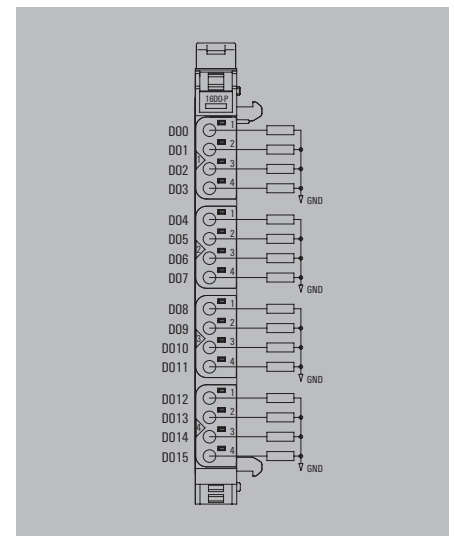
Replacement parts	
Electronics module	
Basic module	
Plug-in connector unit	

Note	

Type	Qty.	Order No.
KOSM BHZ5 00	100	1483050000
UR20-EBK-ACC	5	1346610000
UR20-SM-ACC	20	1339920000
PM 2.7/2.6 MC SDR	192	1323700000
PM 2.7/2.6 MC NE WS	960	1323710000
DEK 5/8-11.5 MC SDR	100	1341610000
DEK 5/8-11.5 MC NE WS	500	1341630000
THM UR20 GE * <sup>1)</sup>	1	1429910000
THM UR20 WS * <sup>1)</sup>	1	1429420000
ESD UR20 DIN A4 WS * <sup>2)</sup>	10	1429430000

UR20-16DO-P-SP	1	1346730000
UR20-BM-SP	5	1350930000
UR20-PK-1W-SP	5	1346400000

\*<sup>1)</sup> 1 roll = 1000 label = 1 Qty.  
\*<sup>2)</sup> 1 sheet = 60 label = 1 Qty.



Product standard	IEC 61131-2
EMC	EN 61000
ATEX	EN 60079
ATEXUL (in preparation)	UL 508



Let's connect.



16 DO-PLC

- 16 digital outputs
- Can be loaded up to 0.5 A per channel
- Short-circuit-proof
- For connecting a PLC interface element
- Positively-switching
- DC-13 load
- IEC 61131-2 compliant

UR20-16DO-P-PLC-INT



Technical data

<b>System data</b>	
Interface	u-remote system bus
Transmission rate of system bus	48 Mbit/s
Galvanic isolation	yes, DC 500 V between current paths
<b>Supply</b>	
Voltage supply	24 V DC +20 % / -15 % via the system bus
Current consumption (I <sub>IN</sub> in power segment of field bus coupler), typ.	8 mA
Current consumption (I <sub>OUT</sub> external)	20 mA + load
<b>Digital outputs</b>	
Number	16
Type of load	ohmic, inductive, lamp load
Response time, high	100 µs
Response time, low	250 µs
Output current per channel, max.	0.5 A
Output current per module, max.	8 A (2 A with supply via a flat ribbon cable)
Switching frequency max.	
	1 kHz
	2 Hz
	1 kHz
Actuator connection	PLC interface
Short-circuit-proof	thermal
Nonreactiv	yes
Module diagnosis	yes
Individual channel diagnosis	no
Shut-down energy (inductive)	150 mJ / channel
Response time of protective circuit (current limitation)	< 100 µs (ambient temperature dependent)
<b>General data</b>	
Weight	82 g
Dimensions (H/W/D)	120 mm (with catch lever 128 mm) x 11,5 mm x 76 mm

Ordering data

<b>Module variants</b>	
Digital output module, 16 channels, PLC interface	

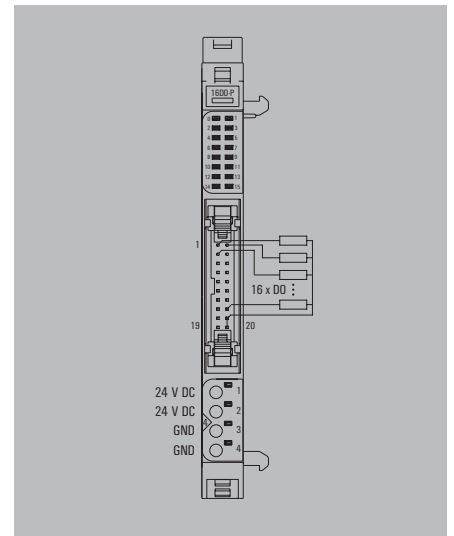
Type	Qty.	Order No.
UR20-16DO-P-PLC-INT	1	1315270000

Accessories

<b>Coding elements</b>	
Coding elements	
Termination kit	
Swivel marker	
Connection marker for pusher custom printing	
Connection marker for pusher neutral	
Module marker for custom printing	
Module marker for neutral	
Thermotransfer version (Material: Polyester)	
Thermotransfer version (Material: Polyester)	
Paper version for Laserprinter	
<b>Replacement parts</b>	
Electronics module	
Basic module	
Plug-in connector unit	
PLC interface element	
<b>Note</b>	

Type	Qty.	Order No.
KOSM BHZ5 00	100	1483050000
UR20-EBK-ACC	5	1346610000
UR20-SM-ACC	20	1339920000
PM 2.7/2.6 MC SDR	192	1323700000
PM 2.7/2.6 MC NE WS	960	1323710000
DEK 5/8-11.5 MC SDR	100	1341610000
DEK 5/8-11.5 MC NE WS	500	1341630000
THM UR20 GE * <sup>1)</sup>	1	1429910000
THM UR20 WS * <sup>1)</sup>	1	1429420000
ESD UR20 DIN A4 WS * <sup>2)</sup>	10	1429430000
UR20-16DO-P-PLC-INT-SP	1	1346740000
UR20-BM-SP	5	1350930000
UR20-PK-PLC-SP	5	1346590000
RS 16IO 1W H S	1	9445700000

\*<sup>1)</sup> 1 roll = 1000 label = 1 Qty.  
\*<sup>2)</sup> 1 sheet = 60 label = 1 Qty.



Product standard	IEC 61131-2
EMC	EN 61000
ATEX	EN 60079
ATEXUL (in preparation)	UL 508



Let's connect.

4 RO-SSR

- 4 digital outputs
- Can be loaded up to 0.5 A per channel
- Solid-state relay

UR20-4RO-SSR-255



Technical data

System data

Interface  
Transmission rate of system bus  
Galvanic isolation

Supply

Voltage supply  
Current consumption ( $I_{IN}$  in power segment of field bus coupler), typ.  
Current consumption ( $I_{OUT}$  in the respective power segment)

Digital outputs

Number  
Type  
Switching frequency  
Response time, high  
Response time, low  
Output current per channel, max.  
Output current per module, max.  
Switching frequency max.  
Short-circuit-proof  
Nonreactiv  
Switching voltage max.  
Module diagnosis  
Individual channel diagnosis

General data

Weight  
Dimensions (H/W/D)

u-remote system bus	
48 Mbit/s	
yes, DC 500 V between current paths	
24 V DC +20 % / -15 % via the system bus	
8 mA	
< 15 mA	
4	
SSR /Triac	
up to 20 Hz	
max. 100 ms	
max. 100 ms	
0.5 A	
2 A	
40 Hz	
no	
yes	
277 V AC <sup>*)</sup>	
yes	
no	
83 g	
120 mm (with catch lever 128 mm) x 11,5 mm x 76 mm	

Ordering data

Module variants

Digital output module, 4 channels, SSR

Type	Qty.	Order No.
UR20-4RO-SSR-255	1	1315540000

<sup>\*)</sup> For this and additional technical data, please refer to the manual available at [www.weidmueller.de](http://www.weidmueller.de) or scan the QR code below.

Accessories

Coding elements  
Termination kit  
Swivel marker  
Connection marker for pusher custom printing  
Connection marker for pusher neutral  
Module marker for custom printing  
Module marker for neutral  
Thermotransfer version (Material: Polyester)  
Thermotransfer version (Material: Polyester)  
Paper version for Laserprinter

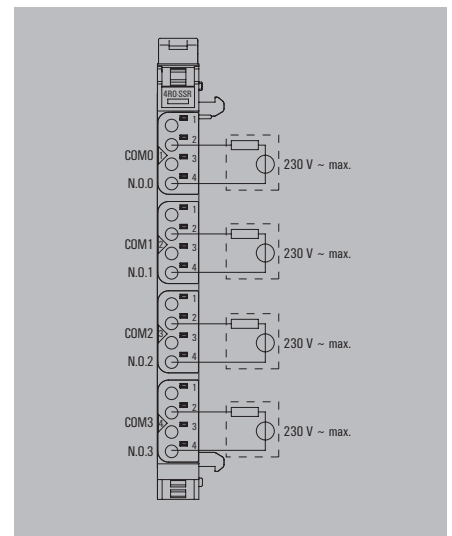
Replacement parts

Electronics module  
Basic module  
Plug-in connector unit

Note

Type	Qty.	Order No.
KOSM BHZ5.00	100	1483050000
UR20-EBK-ACC	5	1346610000
UR20-SM-ACC	20	1339920000
PM 2.7/2.6 MC SDR	192	1323700000
PM 2.7/2.6 MC NE WS	960	1323710000
DEK 5/8-11.5 MC SDR	100	1341610000
DEK 5/8-11.5 MC NE WS	500	1341630000
THM UR20 GE <sup>*)</sup>	1	1429910000
THM UR20 WS <sup>*)</sup>	1	1429420000
ESD UR20 DIN A4 WS <sup>*)</sup>	10	1429430000
UR20-4RO-SSR-255-SP	1	1347130000
UR20-BM-SP	5	1350930000
UR20-PK-255-SP	5	1346500000

<sup>\*)</sup> 1 roll = 1000 label = 1 Qty.  
<sup>\*\*)</sup> 1 sheet = 60 label = 1 Qty.



Product standard	IEC 61131-2
EMC	EN 61000
ATEX	EN 60079
ATEXUL (in preparation)	UL 508



Let's connect.

4 RO-CO

- 4 digital outputs
- Can be loaded up to 6 A per channel
- Relay output, Change-over contact
- Switching voltage 277 V AC/DC

UR20-4RO-CO-255



Technical data

System data	
Interface	u-remote system bus
Transmission rate of system bus	48 Mbit/s
Galvanic isolation	yes, DC 500 V between current paths
Supply	
Voltage supply	24 V DC +20 % / -15 % via the system bus
Current consumption (I <sub>IN</sub> in power segment of field bus coupler), typ.	8 mA
Current consumption (I <sub>OUT</sub> in the respective power segment)	< 15 mA
Digital outputs	
Number	4
Type	Change-over contact
Switching frequency	max. 5 Hz
Response time, high	20 ms
Response time, low	20 ms
Output current per channel, max.	5 A at 60 °C / 6 A at 55 °C
Output current per module, max.	20 A at 60 °C / 24 A at 55 °C
Switching frequency max.	5 Hz
Short-circuit-proof	no
Nonreactiv	yes
Switching voltage max.	277 V AC/DC *)
Module diagnosis	yes
Individual channel diagnosis	no
General data	
Weight	83 g
Dimensions (H/W/D)	120 mm (with catch lever 128 mm) x 11,5 mm x 76 mm

Type	Qty.	Order No.
UR20-4RO-CO-255	1	1315550000

\*) For this and additional technical data, please refer to the manual available at [www.weidmueller.de](http://www.weidmueller.de) or scan the QR code below.

Ordering data

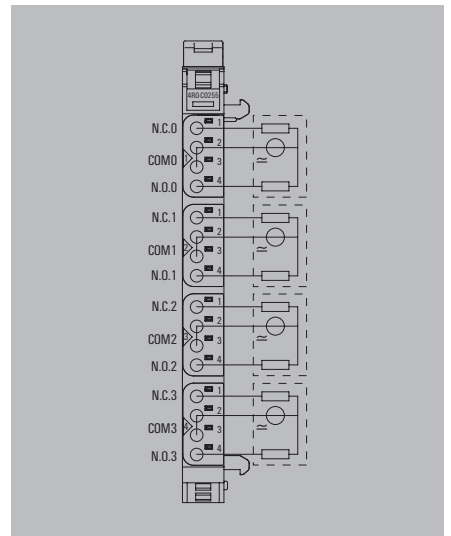
Module variants	
Digital output module, 4 channels, relay	

Accessories

Accessories	
Coding elements	
Termination kit	
Swivel marker	
Connection marker for pusher custom printing	
Connection marker for pusher neutral	
Module marker for custom printing	
Module marker for neutral	
Thermotransfer version (Material: Polyester)	
Thermotransfer version (Material: Polyester)	
Paper version for Laserprinter	
Replacement parts	
Electronics module	
Basic module	
Plug-in connector unit	
Note	

Type	Qty.	Order No.
KOSM BHZ5.00	100	1483050000
UR20-EBK-ACC	5	1346610000
UR20-SM-ACC	20	1339920000
PM 2.7/2.6 MC SDR	192	1323700000
PM 2.7/2.6 MC NE WS	960	1323710000
DEK 5/8-11.5 MC SDR	100	1341610000
DEK 5/8-11.5 MC NE WS	500	1341630000
THM UR20 GE *)	1	1429910000
THM UR20 WS *)	1	1429420000
ESD UR20 DIN A4 WS *)	10	1429430000
UR20-4RO-CO-255-SP	1	1347120000
UR20-BM-SP	5	1350930000
UR20-PK-255-SP	5	1346500000

\*) 1 roll = 1000 label = 1 Qty.  
 \*) 1 sheet = 60 label = 1 Qty.



Product standard	IEC 61131-2
EMC	EN 61000
ATEX	EN 60079
ATEXUL (in preparation)	UL 508



Let's connect.



# Digital counter modules

## 100 kHz; 32 Bit Counter data width; Single channel diagnosis

IP 20  
A

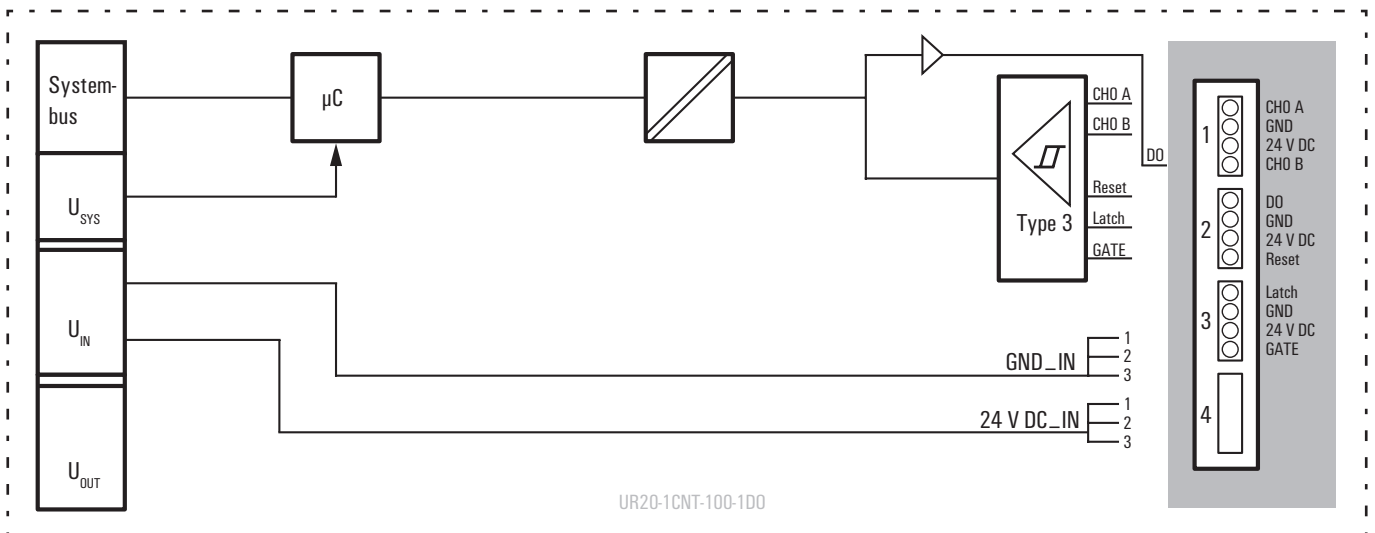
In automated systems, it is impossible to imagine industry without the collection of incremental values.

Developed specifically for these applications Weidmüller now offers two counter modules that can take values with an input frequency of up to 100 kHz.

The 2CNT-100 module has two independent counter inputs and is supplemented by the module 1CNT-100-1DO with only one counter, but additional options. A Latch-, Gate- and Reset input allows external control of the counter. In addition, a digital output can trigger an immediate event, when there are compared values set.

The module electronics supply the connected sensors from the input current path ( $U_{IN}$ ).

**UR20-1CNT-100-1DO block diagram by way of example**





### 1CNT-100-1D0

- Latch-, Gate- and Reset input
- Counter data width 32 Bit
- Maximum input frequency 100 kHz
- Operation mode impuls, direction, 1-, 2- or 4-times
- Sensor feed
- Input filter adjustable up to 1 ms
- One digital output
- Hysteresis > 1 V

### UR20-1CNT-100-1D0



#### Technical data

System data	
Interface	u-remote system bus
Transmission rate of system bus	48 Mbit/s
Galvanic isolation	yes, DC 500 V between current paths
Supply	
Voltage supply	24 V DC +20 % / -15 % via the system bus
Current consumption (I <sub>N</sub> in power segment of field bus coupler), typ.	8 mA
Current consumption (I <sub>N</sub> in the respective power segment)	35 mA
Digital Inputs	
Number of counter inputs	1
Type	incremental encoder
Input filter	adjustable up to 1 ms
Input voltage, low	< 5 V
Input voltage, high	> 11 V
Sensor feed	yes
Sensor connection	2- and 3-wire
Reverse polarity protection	yes
Modul diagnosis	yes
Single channel diagnosis	yes
Input current per channel, max.	3.5 mA
Counter data width	32 Bit
Input frequency, max.	100 kHz
Counter frequency, max.	400 kHz
Latch-, Gate-, Reset-input	yes
Operation mode	Impulse / direction / 1-, 2-, 4-times
General data	
Weight	87 g
Dimensions (H/W/D)	120 mm (with catch lever 128 mm) x 11.5 mm x 76 mm

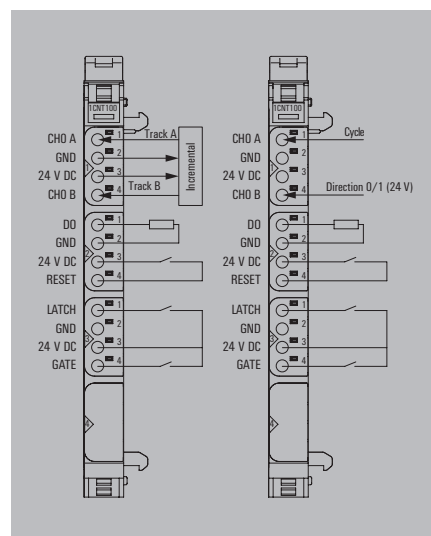
Type	Qty.	Order No.
UR20-1CNT-100-1D0	1	1315570000

#### Ordering data

Module variants	
Digital counter module, 1 channel, 100 kHz	

#### Accessories

Type	Qty.	Order No.
KDSM BHZ5.00	100	1483050000
UR20-EBK-ACC	5	1346610000
UR20-SM-ACC	20	1339920000
PM 2.7/2.6 MC SDR	192	1323700000
PM 2.7/2.6 MC NE WS	960	1323710000
DEK 5/8-11.5 MC SDR	100	1341610000
DEK 5/8-11.5 MC NE WS	500	1341630000
THM UR20 GE *1)	1	1429910000
THM UR20 WS *1)	1	1429420000
ESO UR20 DIN A4 WS *2)	10	1429430000
Replacement parts		
Electronics module	UR20-1CNT-100-1D0-SP	1 1347140000
Basic module	UR20-BM-SP	5 1350930000
Plug-in connector unit	UR20-PK-1CNT-1D0-SP	5 1346520000
Note		
*1) 1 roll = 1000 label = 1 Qty.		
*2) 1 sheet = 60 label = 1 Qty.		



Product standard	IEC 61131-2
EMC	EN 61000
ATEX	EN 60079
ATEXUL (in preparation)	UL 508



Let's connect.

2CNT-100

- Counter data width 32 Bit
- Maximum input frequency 100 kHz
- Operation mode impuls, direction, 1-, 2- or 4-times
- Sensor feed
- Input filter adjustable up to 1 ms
- Hysteresis > 1 V

UR20-2CNT-100



Technical data

System data	
Interface	u-remote system bus
Transmission rate of system bus	48 Mbit/s
Galvanic isolation	yes, DC 500 V between current paths
Supply	
Voltage supply	24 V DC +20 % / - 15 % via the system bus
Current consumption (I <sub>N</sub> in power segment of field bus coupler), typ.	8 mA
Current consumption (I <sub>N</sub> in the respective power segment)	35 mA
Digital Inputs	
Number of counter inputs	2
Type	incremental encoder
Input filter	adjustable up to 1 ms
Input voltage, low	< 5 V
Input voltage, high	> 11 V
Sensor feed	yes
Sensor connection	2- and 3-wire
Reverse polarity protection	yes
Modul diagnosis	yes
Single channel diagnosis	yes
Input current per channel, max.	3 mA
Counter data width	32 Bit
Input frequency, max.	100 kHz
Counter frequency, max.	400 kHz
Operation mode	Impulse / direction / 1-, 2-, 4-times
General data	
Weight	87 g
Dimensions (H/W/D)	120 mm (with catch lever 128 mm) x 11.5 mm x 76 mm

Type	Qty.	Order No.
UR20-2CNT-100	1	1315590000

Ordering data

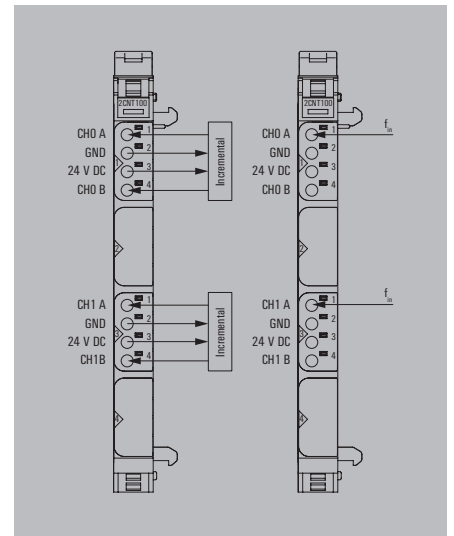
Module variants	
Digital counter module, 2 channel, 100 kHz	

Accessories

Coding elements	100	1483050000
Termination kit	5	1346610000
Swivel marker	20	1339920000
Connection marker for pusher custom printing	192	1323700000
Connection marker for pusher neutral	960	1323710000
Module marker for custom printing	100	1341610000
Module marker for neutral	500	1341630000
Thermotransfer version (Material: Polyester)	1	1429910000
Thermotransfer version (Material: Polyester)	1	1429420000
Paper version for Laserprinter	10	1429430000
Replacement parts		
Electronics module	1	1347150000
Basic module	5	1350930000
Plug-in connector unit	5	1346540000
Note		

Type	Qty.	Order No.
KOSM BHZ5.00	100	1483050000
UR20-EBK-ACC	5	1346610000
UR20-SM-ACC	20	1339920000
PM 2.7/2.6 MC SDR	192	1323700000
PM 2.7/2.6 MC NE WS	960	1323710000
DEK 5/8-11.5 MC SDR	100	1341610000
DEK 5/8-11.5 MC NE WS	500	1341630000
THM UR20 GE * <sup>1)</sup>	1	1429910000
THM UR20 WS * <sup>1)</sup>	1	1429420000
ESD UR20 DIN A4 WS * <sup>2)</sup>	10	1429430000
UR20-2CNT-100-SP	1	1347150000
UR20-BM-SP	5	1350930000
UR20-PK-2CNT-SP	5	1346540000

\*<sup>1)</sup> 1 roll = 1000 label = 1 Qty.  
\*<sup>2)</sup> 1 sheet = 60 label = 1 Qty.



Product standard	IEC 61131-2
EMC	EN 61000
ATEX	EN 60079
ATEXUL (in preparation)	UL 508



Let's connect.



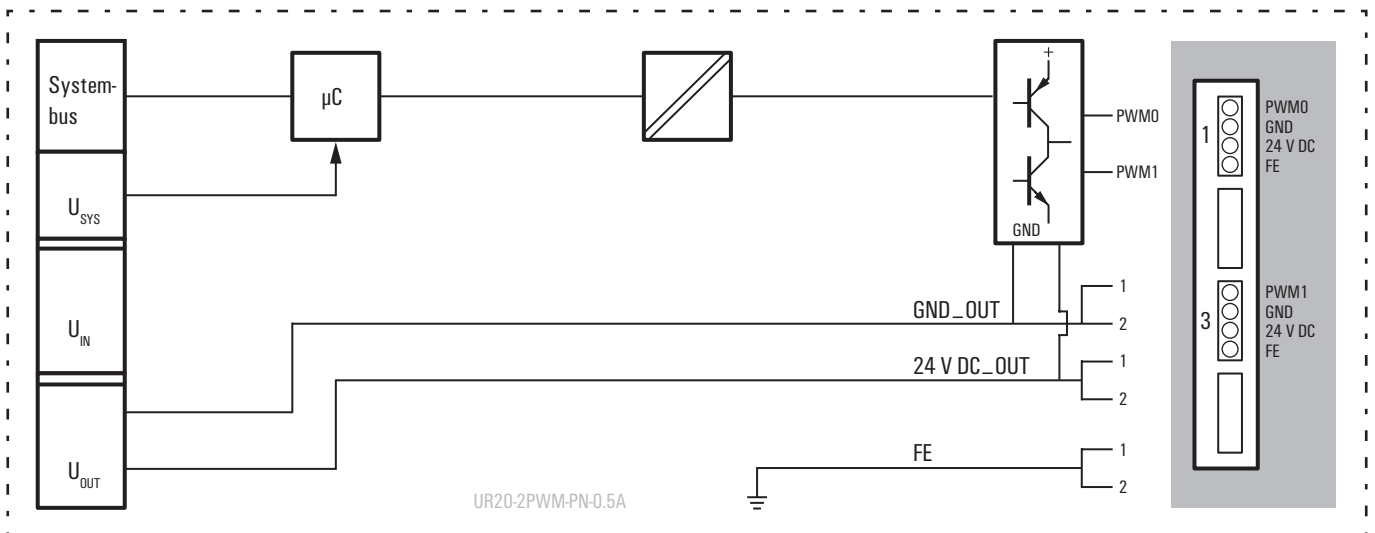
# Pulse width modulation modules

Frequency can be adjusted up to 40 kHz;  
short-circuit-proof; two PWM outputs

As part of the new u-remote system, Weidmüller provides a specialised solution for controlling small motors with current requirements of 0.5 A to 2 A which can also be used to control valve flaps. Here not only can the switching frequencies be set up to 40 kHz, the push/pull output levels can also be used for motor activation, for example, to change direction of rotation. As with all modules in the u-remote system, the characteristics are outstanding – from the modular design and interchangeable electronics to the removable and plug-in terminal strip.

The module electronics supply the connected actuators from the output current path ( $U_{OUT}$ ).

UR20-2PWM-PN-0.5A block diagram by way of example



## 2 PWM-PN-0.5A

- 2 pulse width modulation module outputs
- Can be loaded up to 0.5 A per channel
- Short-circuit-proof
- Push/pull output
- Maximum 40 kHz output frequency (adjustable)

## UR20-2PWM-PN-0.5A



### Technical data

#### System data

Interface  
Transmission rate of system bus  
Galvanic isolation

#### Supply

Voltage supply  
Current consumption (internal)

#### Digital outputs

Number  
Type  
Resolution  
Accuracy  
Response time, high  
Response time, low  
Output current per channel, max.  
Output current per module, max.  
Switching frequency max.  
Resistive load (min. 47 Ω)  
Inductive load (DC 13)  
Lamp load (12 W)

Actuator connection  
Short-circuit-proof  
Module diagnosis  
Individual channel diagnosis  
Nonreactiv  
Pulse duty factor

#### General data

Weight  
Dimensions (H/W/D)

u-remote system bus  
48 Mbit/s  
yes, DC 500 V between current paths

24 V DC +20 % / -15 % via the system bus  
40 mA (Output path)

2  
PWM push/pull output stage

32 Bit  
1 Bit

< 100 ns  
< 100 ns

0.5 A  
1 A

static, 6 Hz to 40 kHz  
static, 6 Hz to 40 kHz  
static, 6 Hz to 40 kHz

yes

yes

yes

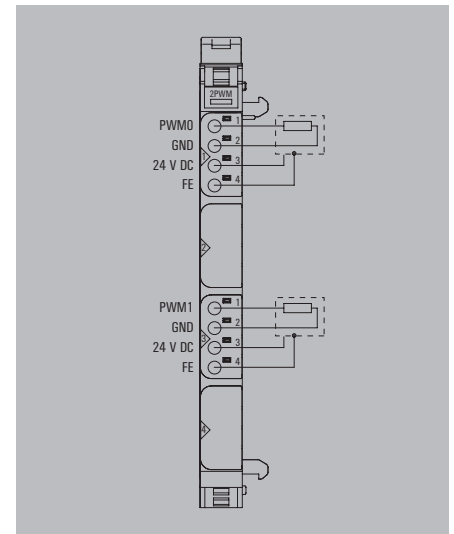
no

yes

0 - 100 % push/pull or push parameterisable

77 g

120 mm (with catch lever 128 mm) x 11,5 mm x 76 mm



### Ordering data

#### Module variants

Digital output module, PWM, 2 channels, 0.5 A

Type	Qty.	Order No.
UR20-2PWM-PN-0.5A	1	131560000

### Accessories

Coding elements  
Termination kit  
Swivel marker  
Connection marker for pusher custom printing  
Connection marker for pusher neutral  
Module marker for custom printing  
Module marker for neutral  
Thermotransfer version (Material: Polyester)  
Thermotransfer version (Material: Polyester)  
Paper version for Laserprinter

#### Replacement parts

Electronics module  
Basic module  
Plug-in connector unit

#### Note

Type	Qty.	Order No.
KOSM BHZ5.00	100	1483050000
UR20-EBK-ACC	5	1346610000
UR20-SM-ACC	20	1339920000
PM 2.7/2.6 MC SDR	192	1323700000
PM 2.7/2.6 MC NE WS	960	1323710000
DEK 5/8-11.5 MC SDR	100	1341610000
DEK 5/8-11.5 MC NE WS	500	1341630000
THM UR20 GE * <sup>1)</sup>	1	1429910000
THM UR20 WS * <sup>1)</sup>	1	1429420000
ESD UR20 DIN A4 WS * <sup>2)</sup>	10	1429430000

UR20-2PWM-05A-SP	1	1347180000
UR20-BM-SP	5	1350930000
UR20-PK-PWM-SP	5	1346550000

\*<sup>1)</sup> 1 roll = 1000 label = 1 Qty.  
\*<sup>2)</sup> 1 sheet = 60 label = 1 Qty.

Product standard	IEC 61131-2
EMC	EN 61000
ATEX	EN 60079
ATEXUL (in preparation)	UL 508



Let's connect.



2 PWM-PN-2A

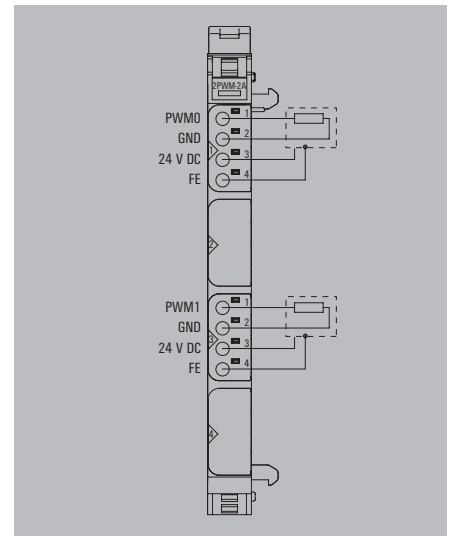
- 2 pulse width modulation module outputs
- Can be loaded up to 2 A per channel
- Short-circuit-proof
- Push/pull output
- Maximum 40 kHz output frequency (adjustable)

UR20-2PWM-PN-2A



Technical data

System data	
Interface	u-remote system bus
Transmission rate of system bus	48 Mbit/s
Galvanic isolation	yes, DC 500 V between current paths
Supply	
Voltage supply	24 V DC +20 % / -15 % via the system bus
Current consumption (internal)	40 mA (Output path)
Digital outputs	
Number	2
Type	PWM push/pull output stage
Resolution	32 Bit
Accuracy	1 Bit
Response time, high	< 100 ns
Response time, low	< 100 ns
Output current per channel, max.	2 A
Output current per module, max.	4 A
Switching frequency max.	
Resistive load (min. 47 Ω)	static, 6 Hz to 40 kHz
Inductive load (DC 13)	static, 6 Hz to 40 kHz
Lamp load (12 W)	static, 6 Hz to 40 kHz
Actuator connection	yes
Short-circuit-proof	yes
Module diagnosis	yes
Individual channel diagnosis	no
Nonreactiv	yes
Pulse duty factor	0 - 100 % push/pull or push parameterisable
General data	
Weight	82 g
Dimensions (H/W/D)	120 mm (with catch lever 128 mm) x 11,5 mm x 76 mm



Ordering data

Module variants	Type	Qty.	Order No.
Digital output module, PWM, 2 channels, 2 A	UR20-2PWM-PN-2A	1	1315610000

Accessories

	Type	Qty.	Order No.
Coding elements	KOSM BHZ5 00	100	1483050000
Termination kit	UR20-EBK-ACC	5	1346610000
Swivel marker	UR20-SM-ACC	20	1339920000
Connection marker for pusher custom printing	PM 2.7/2.6 MC SDR	192	1323700000
Connection marker for pusher neutral	PM 2.7/2.6 MC NE WS	960	1323710000
Module marker for custom printing	DEK 5/8-11.5 MC SDR	100	1341610000
Module marker for neutral	DEK 5/8-11.5 MC NE WS	500	1341630000
Thermotransfer version (Material: Polyester)	THM UR20 GE * <sup>1)</sup>	1	1429910000
Thermotransfer version (Material: Polyester)	THM UR20 WS * <sup>1)</sup>	1	1429420000
Paper version for Laserprinter	ESD UR20 DIN A4 WS * <sup>2)</sup>	10	1429430000
Replacement parts			
Electronics module	UR20-2PWM-2A-SP	1	1347190000
Basic module	UR20-BM-SP	5	1350930000
Plug-in connector unit	UR20-PK-PWM-SP	5	1346550000

\*<sup>1)</sup> 1 roll = 1000 label = 1 Qty.  
\*<sup>2)</sup> 1 sheet = 60 label = 1 Qty.

Product standard	IEC 61131-2
EMC	EN 61000
ATEX	EN 60079
ATEXUL (in preparation)	UL 508



Let's connect.



# Analogue input modules

Input parameters can be set for current or voltage;  
up to 3-wire+FE; Accuracy 0.1% FSR

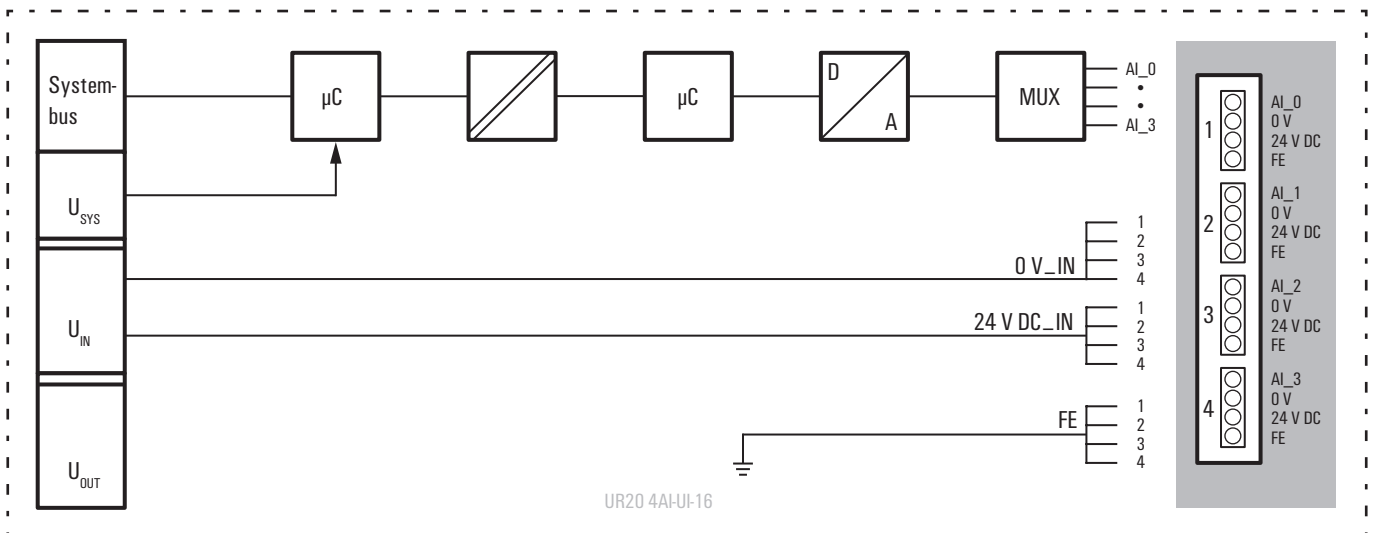
Analogue input modules of the u-remote system are available in many variants with different resolutions and wiring solutions.

Variants are available in a 12- and 16-bit resolution, which record up to 4 analogue sensors with +/-10 V, +/-5 V, 0...10 V, 0...5 V, 2...10 V, 1...5 V, 0...20 mA or 4...20 mA with maximum accuracy. Each plug-in connector has options for connecting sensors with 2-wire, 3-wire and 3-wire+FE technology. The parameters for the measurement range can be individually set for each channel. A separate status LED is also assigned to each channel.

A special variant for Weidmüller interface units enables current measurements with a 16-bit resolution at maximum accuracy for 8 sensors at a time (0...20 mA or 4...20 mA).

The module electronics supply the connected sensors from the input current path ( $U_{IN}$ ).

UR20-4AI-UI-16 block diagram by way of example



4 AI-UI-16

- 4 analogue inputs
- Parameterisable inputs (voltage, current)
- 16-bit resolution
- 2-wire, 3-wire and 3-wire+FE connection
- Accuracy 0.1 % FSR

UR20-4AI-UI-16



Technical data

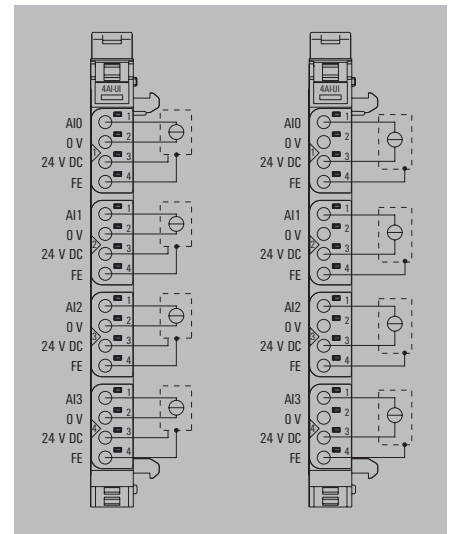
<b>System data</b>	
Interface	u-remote system bus
Transmission rate of system bus	48 Mbit/s
Galvanic isolation	yes, DC 500 V between current paths
<b>Supply</b>	
Voltage supply	24 V DC +20 % / -15 % via the system bus
Current consumption (I <sub>N</sub> in power segment of field bus coupler), typ.	8 mA
Current consumption (I <sub>N</sub> in the respective power segment)	25 mA + sensor feed
<b>Analogue inputs</b>	
Number	4
Input	1. Voltage (0...5 V, ±5 V, 0...10 V, ±10 V, 1...5 V, 2...10 V) 2. Current (0...20 mA, 4...20 mA)
Resolution	16 Bit
Accuracy	0.1 % FSR
Sensor supply	24 V
Sensor connection	2-wire, 3-wire, 3-wire+FE
Conversion time	1 ms
Internal resistance U	100 kΩ
Internal resistance I	41.2 Ω
Reverse polarity protection	yes
Module diagnosis	yes
Individual channel diagnosis	no
Short-circuit-proof	yes
Tripping and dropout time	< 50 ms
<b>General data</b>	
Weight	89 g
Dimensions (H/W/D)	120 mm (with catch lever 128 mm) x 11,5 mm x 76 mm

Ordering data

Module variants	Type	Qty.	Order No.
Analogue input module, 4 channels, 16 bits	UR20-4AI-UI-16	1	1315620000

Accessories

	Type	Qty.	Order No.
Coding elements	KOSM BHZ5.00	100	1483050000
Termination kit	UR20-EBK-ACC	5	1346610000
Swivel marker	UR20-SM-ACC	20	1339920000
Connection marker for pusher custom printing	PM 2.7/2.6 MC SDR	192	1323700000
Connection marker for pusher neutral	PM 2.7/2.6 MC NE WS	960	1323710000
Module marker for custom printing	DEK 5/8-11.5 MC SDR	100	1341610000
Module marker for neutral	DEK 5/8-11.5 MC NE WS	500	1341630000
Thermotransfer version (Material: Polyester)	THM UR20 GE * <sup>1)</sup>	1	1429910000
Thermotransfer version (Material: Polyester)	THM UR20 WS * <sup>1)</sup>	1	1429420000
Paper version for Laserprinter	ESD UR20 DIN A4 WS * <sup>2)</sup>	10	1429430000
<b>Replacement parts</b>			
Electronics module	UR20-4AI-UI-16-SP	1	1347200000
Basic module	UR20-BM-SP	5	1350930000
Plug-in connector unit	UR20-PK-4W-SP	5	1346440000
<b>Note</b>			
* <sup>1)</sup> 1 roll = 1000 label = 1 Qty.			
* <sup>2)</sup> 1 sheet = 60 label = 1 Qty.			



Product standard	IEC 61131-2
EMC	EN 61000
ATEX	EN 60079
ATEXUL (in preparation)	UL 508



Let's connect.

4 AI-UI-12

- 4 analogue inputs
- Parameterisable inputs (voltage, current)
- 12-bit resolution
- 2-wire, 3-wire and 3-wire+FE connection
- Accuracy 0.25 % FSR

UR20-4AI-UI-12



Technical data

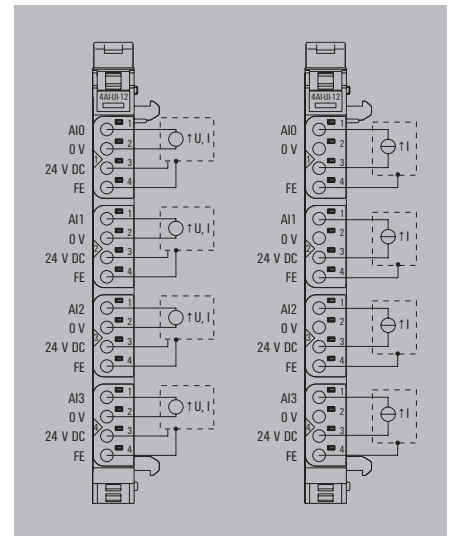
System data	
Interface	u-remote system bus
Transmission rate of system bus	48 Mbit/s
Galvanic isolation	yes, DC 500 V between current paths
Supply	
Voltage supply	24 V DC +20 % / -15 % via the system bus
Current consumption (I <sub>N</sub> in power segment of field bus coupler), typ.	8 mA
Current consumption (I <sub>N</sub> in the respective power segment)	25 mA + sensor feed
Analogue inputs	
Number	4
Input	1. Voltage (0...5 V, ±5 V, 0...10 V, ±10 V, 1...5 V, 2...10 V) 2. Current (0...20 mA, 4...20 mA)
Resolution	12 Bit
Accuracy	0,25 % FSR
Sensor supply	24 V
Sensor connection	2-wire, 3-wire, 3-wire+FE
Conversion time	1 ms
Internal resistance U	100 kΩ
Internal resistance I	41.2 Ω
Reverse polarity protection	yes
Module diagnosis	yes
Individual channel diagnosis	no
Short-circuit-proof	yes
Tripping and dropout time	< 50 ms
General data	
Weight	87 g
Dimensions (H/W/D)	120 mm (with catch lever 128 mm) x 11,5 mm x 76 mm

Ordering data

Module variants	Type	Qty.	Order No.
Analogue input module, 4 channels, 12 bits	UR20-4AI-UI-12	1	1394390000

Accessories

	Type	Qty.	Order No.
Coding elements	KOSM BHZ5.00	100	1483050000
Termination kit	UR20-EBK-ACC	5	1346610000
Swivel marker	UR20-SM-ACC	20	1339920000
Connection marker for pusher custom printing	PM 2.7/2.6 MC SDR	192	1323700000
Connection marker for pusher neutral	PM 2.7/2.6 MC NE WS	960	1323710000
Module marker for custom printing	DEK 5/8-11.5 MC SDR	100	1341610000
Module marker for neutral	DEK 5/8-11.5 MC NE WS	500	1341630000
Thermotransfer version (Material: Polyester)	THM UR20 GE * <sup>1)</sup>	1	1429910000
Thermotransfer version (Material: Polyester)	THM UR20 WS * <sup>1)</sup>	1	1429420000
Paper version for Laserprinter	ESD UR20 DIN A4 WS * <sup>2)</sup>	10	1429430000
Replacement parts			
Electronics module	UR20-4AI-UI-12-SP	1	1434230000
Basic module	UR20-BM-SP	5	1350930000
Plug-in connector unit	UR20-PK-4W-SP	5	1346440000
<b>Note</b>			
* <sup>1)</sup> 1 roll = 1000 label = 1 Qty. * <sup>2)</sup> 1 sheet = 60 label = 1 Qty.			



Product standard	IEC 61131-2
EMC	EN 61000
ATEX	EN 60079
ATEXUL (in preparation)	UL 508



Let's connect.

## 8 AI-PLC

- 8 analogue inputs
- Rapid cabling with flat ribbon cable
- 0/4 to 20 mA with 0.1 % accuracy with a 16-bit resolution
- Inputs can be parameterised (passive or active operating mode)

## UR20-8AI-PLC-INT



### Technical data

<b>System data</b>
Interface
Transmission rate of system bus
Galvanic isolation
<b>Supply</b>
Voltage supply
Current consumption ( $I_{IN}$ in power segment of field bus coupler), typ.
Current consumption ( $I_{IN}$ external)
<b>Analogue inputs</b>
Number
Input
Resolution
Accuracy
Sensor supply
Sensor connection
Conversion time
Internal resistance I
Reverse polarity protection
Module diagnosis
Individual channel diagnosis
Short-circuit-proof
Tripping time
<b>General data</b>
Weight
Dimensions (H/W/D)

u-remote system bus
48 Mbit/s
yes, DC 500 V between current paths
24 V DC +20 % / -15 % via the system bus
8 mA
20 mA
8
Current input
16 Bit
0.1 % FSR
external
PLC interface
1 ms
approx. 50 Ω
yes
yes
no
yes
< 0,1 s
73 g
120 mm (with catch lever 128 mm) x 11,5 mm x 76 mm

### Ordering data

<b>Module variants</b>
Analogue input module, 8 channels, PLC interface

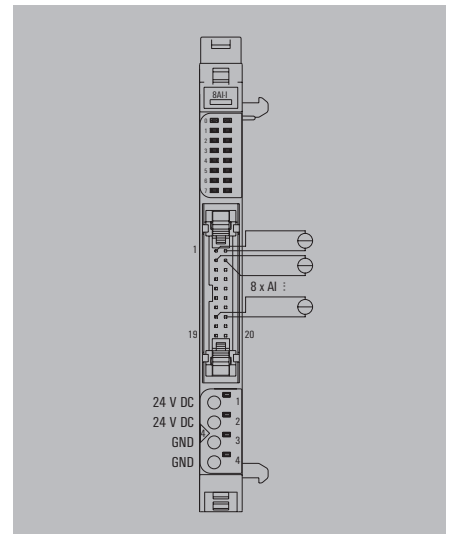
Type	Qty.	Order No.
UR20-8AI-PLC-INT	1	1315670000

### Accessories

Coding elements
Termination kit
Swivel marker
Connection marker for pusher custom printing
Connection marker for pusher neutral
Module marker for custom printing
Module marker for neutral
Thermotransfer version (Material: Polyester)
Thermotransfer version (Material: Polyester)
Paper version for Laserprinter
<b>Replacement parts</b>
Electronics module
Basic module
Plug-in connector unit
PLC interface element
<b>Note</b>

Type	Qty.	Order No.
KOSM BHZ5.00	100	1483050000
UR20-EBK-ACC	5	1346610000
UR20-SM-ACC	20	1339920000
PM 2.7/2.6 MC SDR	192	1323700000
PM 2.7/2.6 MC NE WS	960	1323710000
DEK 5/8-11.5 MC SDR	100	1341610000
DEK 5/8-11.5 MC NE WS	500	1341630000
THM UR20 GE * <sup>1)</sup>	1	1429910000
THM UR20 WS * <sup>1)</sup>	1	1429420000
ESD UR20 DIN A4 WS * <sup>2)</sup>	10	1429430000
UR20-8AI-PLC-INT-SP	1	1347250000
UR20-BM-SP	5	1350930000
UR20-PK-PLC-SP	5	1346590000
RS F20 LP2N 5/20	1	0224261001

\*<sup>1)</sup> 1 roll = 1000 label = 1 Qty.  
\*<sup>2)</sup> 1 sheet = 60 label = 1 Qty.



Product standard	IEC 61131-2
EMC	EN 61000
ATEX	EN 60079
ATEXUL (in preparation)	UL 508



Let's connect.



# Temperature modules

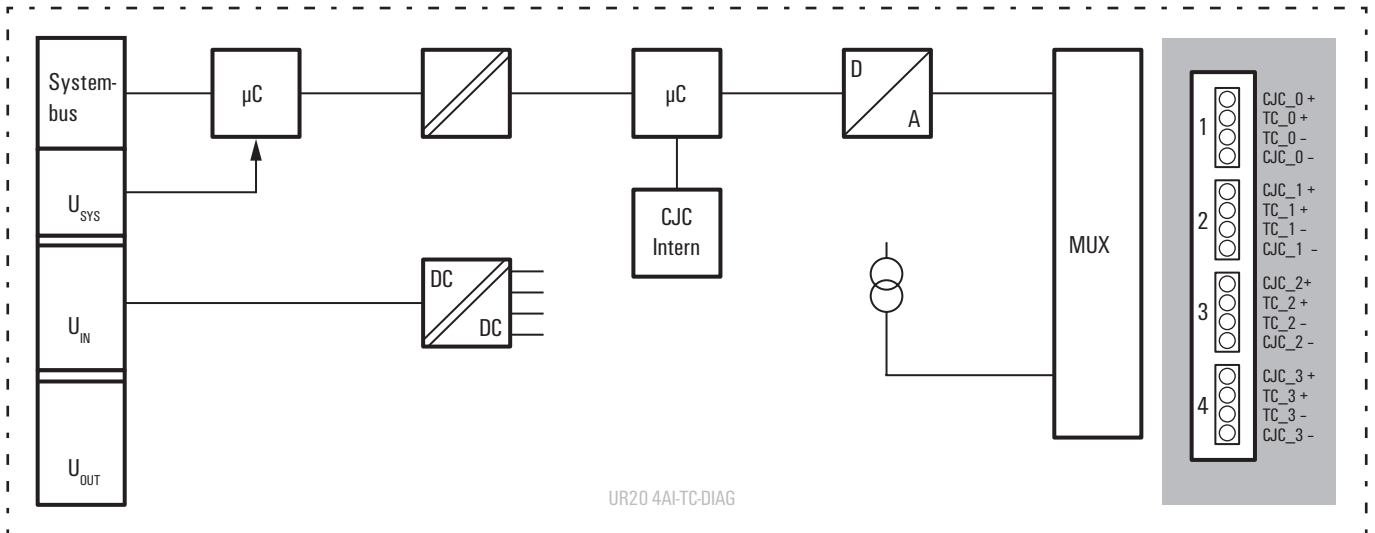
Available for TC and RTD; 16-bit resolution;  
50/60 Hz suppression

IP 20  
A

The recording of resistance temperature and thermocoupler sensors is indispensable for many applications. The 4-channel input modules from Weidmüller are designed for all common thermal elements and resistance temperature sensors. With an accuracy of 0.2 % of the measurement range end value and a resolution of 16 bits, cable breaks and instances of the limit value being exceeded or fallen below are detected by means of individual channel diagnosis. Additional features such as an automatic 50-Hz to 60-Hz suppression or external as well as internal cold-junction compensation, as are available with the TC module, round off the scope of function.

The module electronics supply the connected sensors from the input current path ( $U_{IN}$ ).

**UR20-4AI-TC-DIAG block diagram by way of example**



### 4 AI-TC

- 4 analogue inputs
- Various TC sensors
- High accuracy of 0.2 % FSR
- 16-bit resolution
- Individual channel diagnosis
- Internal or external cold-junction compensation possible
- Automatic 50 and 60 Hz suppression

### UR20-4AI-TC-DIAG



### Technical data

System data	
Interface	u-remote system bus
Transmission rate of system bus	48 Mbit/s
Galvanic isolation	yes, DC 500 V between current paths
Supply	
Voltage supply	24 V DC +20 % / -15 % via the system bus
Current consumption (I <sub>N</sub> in power segment of field bus coupler), typ.	8 mA
Current consumption (I <sub>N</sub> in the respective power segment)	20 mA
Analogue inputs	
Number	4
Sensor type	J, K, T, B, N, E, R, S, L, U, C, mV
Resolution	16 Bit
Accuracy	0.2 % FSR
Sensor connection	2-wire
Cold-junction compensation	internal and external (int. accuracy ≤ 3 K)
Temperature coefficient	50 ppm/K
Temperature range	-200...+2315 °C
Conversion time	36...240 ms, adjustable
Internal resistance	> 1 MΩ
Module diagnosis	yes
Individual channel diagnosis	yes
Reverse polarity protection	yes
General data	
Weight	86 g
Dimensions (H/W/D)	120 mm (with catch lever 128 mm) x 11,5 mm x 76 mm

### Ordering data

Module variants	
Analogue input module, 4 channels, thermocouple	

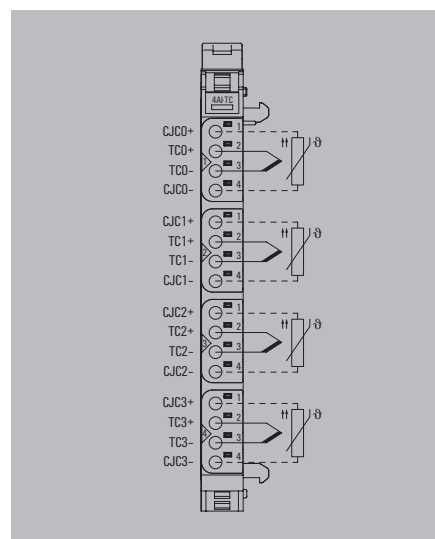
Type	Qty.	Order No.
UR20-4AI-TC-DIAG	1	1315710000

### Accessories

Accessories	
Coding elements	
Termination kit	
Swivel marker	
Connection marker for pusher custom printing	
Connection marker for pusher neutral	
Module marker for custom printing	
Module marker for neutral	
Thermotransfer version (Material: Polyester)	
Thermotransfer version (Material: Polyester)	
Paper version for Laserprinter	
Replacement parts	
Electronics module	
Basic module	
Plug-in connector unit	
Note	

Type	Qty.	Order No.
KOSM BHZ5.00	100	1483050000
UR20-EBK-ACC	5	1346610000
UR20-SM-ACC	20	1339920000
PM 2.7/2.6 MC SDR	192	1323700000
PM 2.7/2.6 MC NE WS	960	1323710000
DEK 5/8-11.5 MC SDR	100	1341610000
DEK 5/8-11.5 MC NE WS	500	1341630000
THM UR20 GE * <sup>1)</sup>	1	1429910000
THM UR20 WS * <sup>1)</sup>	1	1429420000
ESD UR20 DIN A4 WS * <sup>2)</sup>	10	1429430000
UR20-4AI-TC-DIAG-SP	1	1435740000
UR20-BM-SP	5	1350930000
UR20-PK-4W-SP	5	1346440000

\*<sup>1)</sup> 1 roll = 1000 label = 1 Qty.  
\*<sup>2)</sup> 1 sheet = 60 label = 1 Qty.



Product standard	IEC 61131-2
EMC	EN 61000
ATEX	EN 60079
ATEXUL (in preparation)	UL 508



Let's connect.

4 AI-RTD

- 16-bit resolution
- Individual channel diagnosis
- Automatic 50 and 60 Hz suppression
- For 2-, 3- and 4-wire RTDs
- High accuracy
- For virtually all common sensors
- Temperature measurement via resistor

UR20-4AI-RTD-DIAG



Technical data

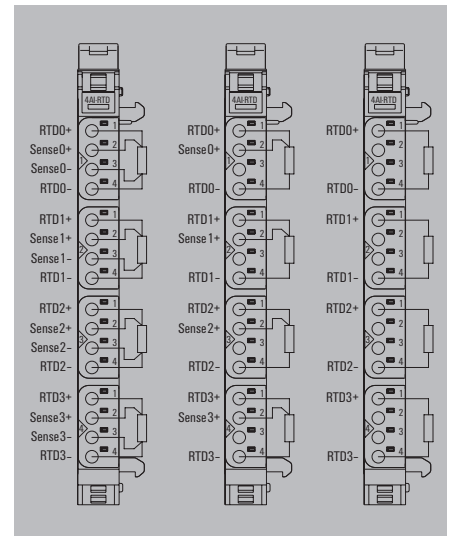
<b>System data</b>	
Interface	u-remote system bus
Transmission rate of system bus	48 Mbit/s
Galvanic isolation	yes, DC 500 V between current paths
<b>Supply</b>	
Voltage supply	24 V DC +20 % / -15 % via the system bus
Current consumption (I <sub>N</sub> in power segment of field bus coupler), typ.	8 mA
Current consumption (I <sub>N</sub> in the respective power segment)	20 mA
<b>Analogue inputs</b>	
Number	4
Sensor type	Pt100, Pt200, Pt500, Pt1000, Ni100, Ni120, Ni200, Ni500, Ni1000, Cu10, resistors with 40 Ω, 80 Ω, 150 Ω, 300 Ω, 500 Ω, 1 kΩ, 2 kΩ, 4 kΩ
Resolution	16 Bit
Accuracy	0.2 % FSR, 0.3 % FSR for Ni sensors, 0.6 % FSR for Cu10
Sensor connection	2-wire, 3-wire, 4-wire
Temperature coefficient	50 ppm/K
Temperature range	-200...+850 °C
Conversion time	36...240 ms adjustable
Internal resistance	> 1 MΩ
Reverse polarity protection	yes
Module diagnosis	yes
Individual channel diagnosis	yes
<b>General data</b>	
Weight	91 g
Dimensions (H/W/D)	120 mm (with catch lever) 128 mm x 11,5 mm x 76 mm

Ordering data

<b>Module variants</b>	
Analogue input module, 4 channels, RTD	
<b>Type</b>	
UR20-4AI-RTD-DIAG	Qty. 1 Order No. 1315700000

Accessories

Coding elements	KDSM BHZ5.00	Qty. 100	Order No. 1483050000
Termination kit	UR20-EBK-ACC	5	1346610000
Swivel marker	UR20-SM-ACC	20	1339920000
Connection marker for pusher custom printing	PM 2.7/2.6 MC SDR	192	1323700000
Connection marker for pusher neutral	PM 2.7/2.6 MC NE WS	960	1323710000
Module marker for custom printing	DEK 5/8-11.5 MC SDR	100	1341610000
Module marker for neutral	DEK 5/8-11.5 MC NE WS	500	1341630000
Thermotransfer version (Material: Polyester)	THM UR20 GE * <sup>1)</sup>	1	1429910000
Thermotransfer version (Material: Polyester)	THM UR20 WS * <sup>1)</sup>	1	1429420000
Paper version for Laserprinter	ESO UR20 DIN A4 WS * <sup>2)</sup>	10	1429430000
<b>Replacement parts</b>			
Electronics module	UR20-4AI-RTD-DIAG-SP	1	1347290000
Basic module	UR20-BM-SP	5	1350930000
Plug-in connector unit	UR20-PK-4W-SP	5	1346440000
<b>Note</b>			
* <sup>1)</sup> 1 roll = 1000 label = 1 Qty.			
* <sup>2)</sup> 1 sheet = 60 label = 1 Qty.			



Product standard	IEC 61131-2
EMC	EN 61000
ATEX	EN 60079
ATEXUL (in preparation)	UL 508



Let's connect.



# Analogue output module

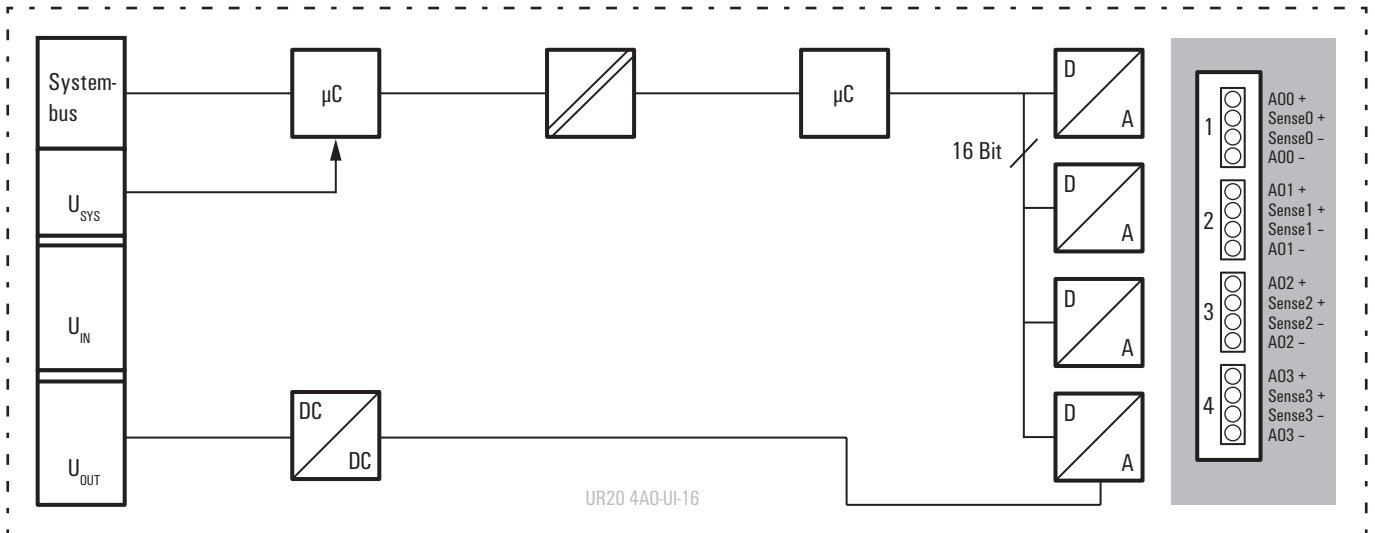
2- or 4-wire connection; 16-bit resolution; 4 outputs

IP 20  
A

The analogue output module controls up to 4 analogue actuators with +/-10 V, +/-5 V, 0...10 V, 0...5 V, 2...10 V, 1...5 V, 0...20 mA or 4...20 mA with an accuracy of 0.05 % of the measurement range end value. An actuator with 2- or 4-wire technology can be connected to each plug-in connector. The outputs are defined channel by channel using parameterisation. A separate status LED is assigned to each channel.

The outputs are supplied from the output current path ( $U_{OUT}$ ).

Block diagram UR20-4AO-UI-16



4 AO

- 4 analogue outputs
- Outputs can be parameterised by channel (voltage, current)
- 16-bit resolution
- 2- and 4-wire connection
- Accuracy typ. 0.05 % FSR
- Replacement values can be set per channel
- Nonreactiv
- Short-circuit-proof

UR20-4AO-UI-16



Technical data

System data	
Interface	u-remote system bus
Transmission rate of system bus	48 Mbit/s
Galvanic isolation	yes, DC 500 V between current paths
Supply	
Voltage supply	24 V DC +20 % / -15 % via the system bus
Current consumption (I <sub>IN</sub> in power segment of field bus coupler), typ.	8 mA
Current consumption (I <sub>OUT</sub> in the respective power segment)	85 mA
Analogue outputs	
Number	4
Output	1. Voltage (0...5 V, 0...10 V, 1...5 V, 2...10 V, ±5 V) 2. Current (0...20 mA or 4...20 mA)
Response time	1 ms for 4 channels
Resolution	16 Bit
Accuracy	±0.1 % FSR max., 0.05 % FSR typ.
Load resistance, voltage output	> 1 kΩ (at > 50 °C ambient temperature max. sum of sensor current = 25 mA)
Load resistance, current output	< 600 Ω
Actuator connection	2-wire (current and voltage), 3- and 4-wire (voltage), (2-wire: automatic detection)
Temperature coefficient	20 ppm Voltage / 31 ppm current measurement / °K
Max. error between T min. and T max.	220 ppm FSR
Monotonicity	yes
Crosstalk between the channels	0,001 % FSR
Repeat accuracy	< 1 mV effectively
Output waviness	max. 0.001 %
Module diagnosis	yes
Replacement values	yes
General data	
Weight	83 g
Dimensions (H/W/D)	120 mm (with catch lever 128 mm) x 11,5 mm x 76 mm

Ordering data

Module variants	
Analogue output module, 4 channels, 16 Bit	

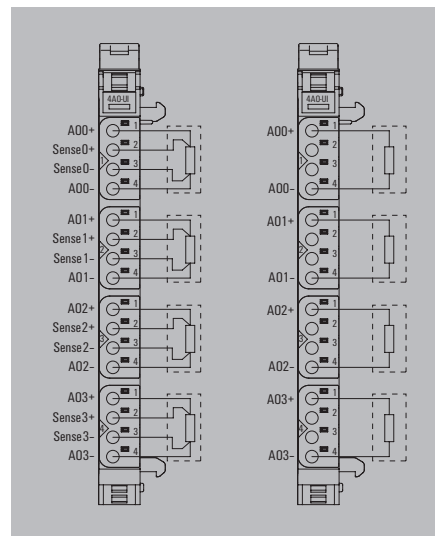
Type	Qty.	Order No.
UR20-4AO-UI-16	1	1315680000

Accessories

Accessories	
Coding elements	
Termination kit	
Swivel marker	
Connection marker for pusher custom printing	
Connection marker for pusher neutral	
Module marker for custom printing	
Module marker for neutral	
Thermotransfer version (Material: Polyester)	
Thermotransfer version (Material: Polyester)	
Paper version for Laserprinter	
Replacement parts	
Electronics module	
Basic module	
Plug-in connector unit	
Note	

Type	Qty.	Order No.
KOSM BHZ5.00	100	1483050000
UR20-EBK-ACC	5	1346610000
UR20-SM-ACC	20	1339920000
PM 2.7/2.6 MC SDR	192	1323700000
PM 2.7/2.6 MC NE WS	960	1323710000
DEK 5/8-11.5 MC SDR	100	1341610000
DEK 5/8-11.5 MC NE WS	500	1341630000
THM UR20 GE * <sup>1)</sup>	1	1429910000
THM UR20 WS * <sup>1)</sup>	1	1429420000
ESD UR20 DIN A4 WS * <sup>2)</sup>	10	1429430000
UR20-4AO-UI-SP	1	1347270000
UR20-BM-SP	5	1350930000
UR20-PK-4W-SP	5	1346440000

\*<sup>1)</sup> 1 roll = 1000 label = 1 Qty.  
\*<sup>2)</sup> 1 sheet = 60 label = 1 Qty.



Product standard	IEC 61131-2
EMC	EN 61000
ATEX	EN 60079
ATEXUL (in preparation)	UL 508



Let's connect.

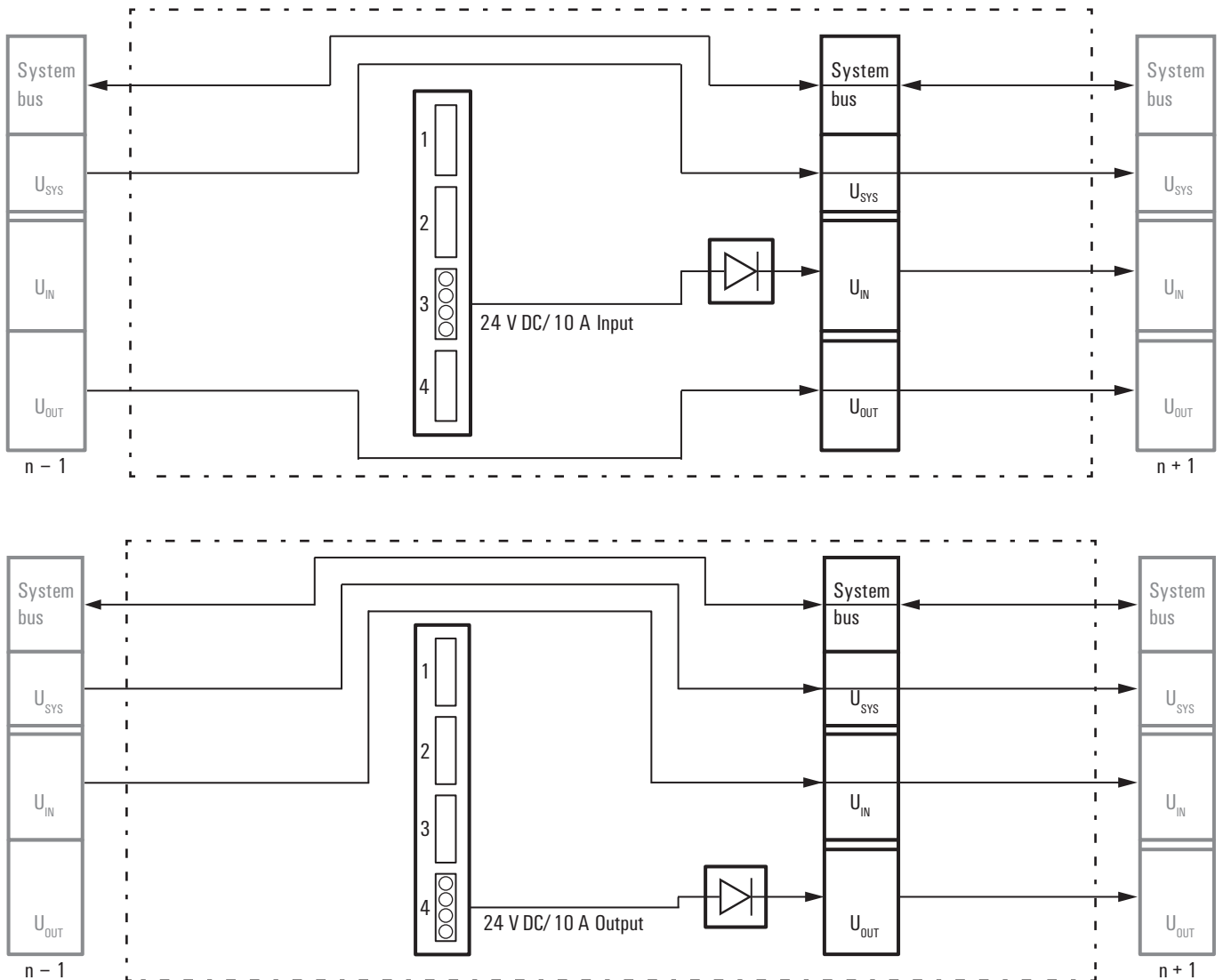


# Power-feed modules

## 10 A feeding; input or output current path; diagnosis visualisation

Weidmüller power-feed modules are available to refresh the power of the input and output current path. These feed 10 A, monitored by the voltage diagnosis display, in the corresponding input or output path. The time-saving commissioning is guaranteed by the standard u-remote plug with proven and tested "PUSH IN" technology for reliable contacting. The power supply is monitored by a diagnosis display.

Block diagram UR20-PF-I und UR20-PF-O



PF-I

- Power supply in input current path
- Power supply current 10 A
- Integrated diagnosis display

UR20-PF-I



Technical data

Supply	
Voltage supply for inputs	24 V DC +20 % / -15 %
Maximum feed current for input modules	10 A
Current consumption (I <sub>N</sub> in the respective power segment)	10 mA
General data	
Weight	76 g
Dimensions (H/W/D)	120 mm (with catch lever) x 11,5 mm x 76 mm

Ordering data

Module variants	
Power supply module	

Type	Qty.	Order No.
UR20-PF-I		1334710000

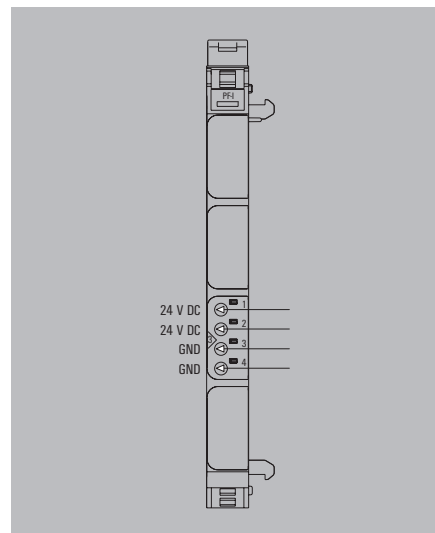
Accessories

Coding elements	
Termination kit	
Swivel marker	
Connection marker for pusher custom printing	
Connection marker for pusher neutral	
Module marker for custom printing	
Module marker for neutral	
Thermotransfer version (Material: Polyester)	
Thermotransfer version (Material: Polyester)	
Paper version for Laserprinter	

Type	Qty.	Order No.
KOSM BHZ5.00	100	1483050000
UR20-EBK-ACC	5	1346610000
UR20-SM-ACC	20	1339920000
PM 2.7/2.6 MC SDR	192	1323700000
PM 2.7/2.6 MC NE WS	960	1323710000
DEK 5/8-11.5 MC SDR	100	1341610000
DEK 5/8-11.5 MC NE WS	500	1341630000
THM UR20 GE * <sup>1)</sup>	1	1429910000
THM UR20 WS * <sup>1)</sup>	1	1429420000
ESD UR20 DIN A4 WS * <sup>2)</sup>	10	1429430000

Replacement parts	
Electronics module	UR20-PF-I-SP 1 1347380000
Basic module	UR20-BM-PF-I-SP 5 1350940000
Plug-in connector unit	UR20-PK-PF-I-SP 5 1346460000
Note	

\*<sup>1)</sup> 1 roll = 1000 label = 1 Qty.  
 \*<sup>2)</sup> 1 sheet = 60 label = 1 Qty.



Product standard	IEC 61131-2
EMC	EN 61000
ATEX	EN 60079
ATEXUL (in preparation)	UL 508



Let's connect.

PF

- Power supply in output current path
- Power supply current 10 A
- Integrated diagnosis display

UR20-PF-0



Technical data

Supply	
Voltage supply for outputs	24 V DC +20 % / -15 %
Maximum feed current for output modules	10 A
Current consumption (I <sub>OUT</sub> in the respective power segment)	10 mA
General data	
Weight	76 g
Dimensions (H/W/D)	120 mm (with catch lever) x 11,5 mm x 76 mm

Ordering data

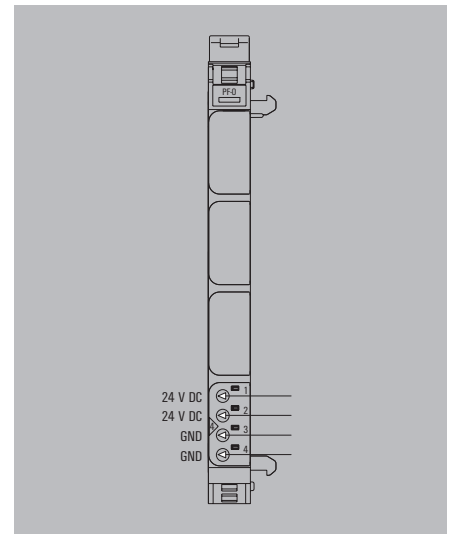
Module variants	Type	Qty.	Order No.
Power supply module	UR20-PF-0		1334740000

Accessories

	Type	Qty.	Order No.
Coding elements	KOSM BHZ5.00	100	1483050000
Termination kit	UR20-EBK-ACC	5	1346610000
Swivel marker	UR20-SM-ACC	20	1339920000
Connection marker for pusher custom printing	PM 2.7/2.6 MC SDR	192	1323700000
Connection marker for pusher neutral	PM 2.7/2.6 MC NE WS	960	1323710000
Module marker for custom printing	DEK 5/8-11.5 MC SDR	100	1341610000
Module marker for neutral	DEK 5/8-11.5 MC NE WS	500	1341630000
Thermotransfer version (Material: Polyester)	THM UR20 GE * <sup>1)</sup>	1	1429910000
Thermotransfer version (Material: Polyester)	THM UR20 WS * <sup>1)</sup>	1	1429420000
Paper version for Laserprinter	ESD UR20 DIN A4 WS * <sup>2)</sup>	10	1429430000

Replacement parts	Type	Qty.	Order No.
Electronics module	UR20-PF-0-SP	1	1347420000
Basic module	UR20-BM-PF-0-SP	5	1350950000
Plug-in connector unit	UR20-PK-PF-0-SP	5	1346480000

**Note**  
<sup>\*1)</sup> 1 roll = 1000 label = 1 Qty.  
<sup>\*2)</sup> 1 sheet = 60 label = 1 Qty.



Product standard	IEC 61131-2
EMC	EN 61000
ATEX	EN 60079
ATEXUL (in preparation)	UL 508



Let's connect.



# Modules for functional safety

## SIL 3; OSSD output; wire breakage and short-circuit detection

IP 20  
A

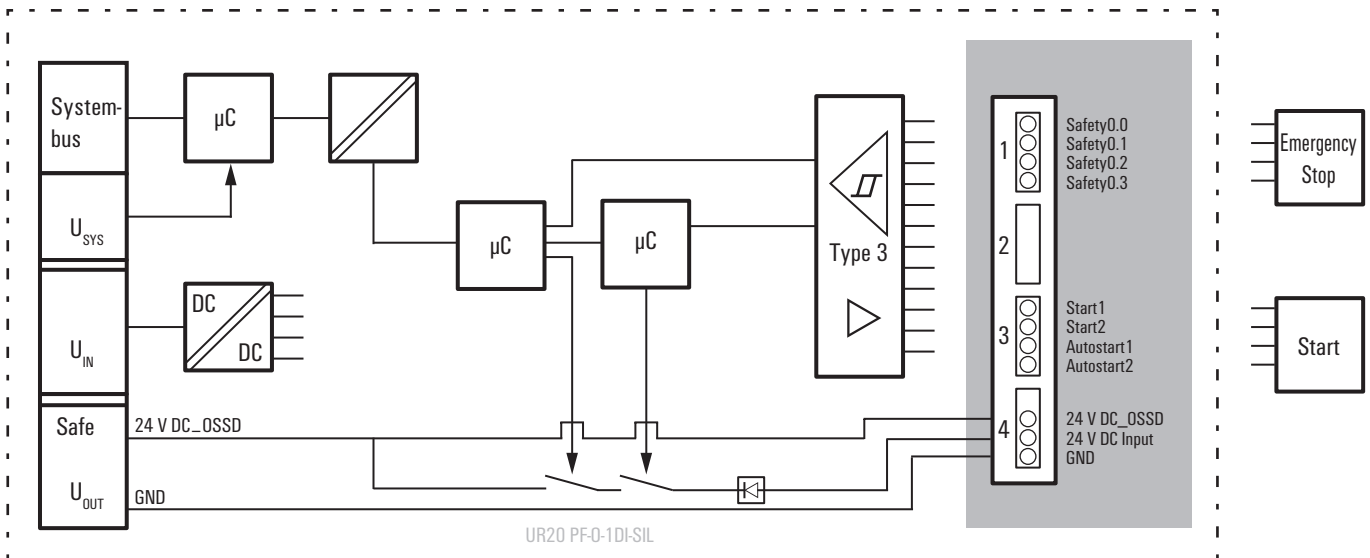
Safety technology is of central importance in the automation industry and machine construction. When attempting to reduce risks and avoid putting people and the environment in danger, you need solutions which satisfy stringent requirements and statutory specifications. The safety modules of the u-remote system have key features such as emergency stop circuits and wire breakage/short-circuit detection. They satisfy all SIL 3 requirements according to IEC 62061 and EN ISO 13849-1, Category 4, PL e and support the safe operation of your system.

By safely shutting down the downstream output modules, the safety modules attain maximum safety with optimum control. All input sensors are independently supplied via separate voltage paths and report the current machine status to the control unit. The restart is either performed in manual mode or using the autostart function.

Safety modules from Weidmüller also cut maintenance and service times and improve your response times in an emergency – thanks to a concept of maximum transparency, e.g. using OSSD output.

The module electronics supply the connected actuators from the output current path ( $U_{OUT}$ ).

**UR20-PF-0-1DI-SIL block diagram by way of example**



1 DI-SIL

- SIL 3 safety standard in accordance with IEC 62061 and DIN EN ISO 13849-1, category 4, PL e
- Connection for an emergency stop circuit
- OSSD output reports status to control unit
- Pulsed input circuit for wire breakage and short-circuit detection
- Restart: manual or using autostart

UR20-PF-0-1DI-SIL



Technical data

<b>System data</b>	
Interface	u-remote system bus
Transmission rate of system bus	48 Mbit/s
<b>Safety-related data</b>	
Achievable safety standard	IEC 61508 SIL 3 and DIN EN ISO 13849-1:2008 PL e
Level of diagnostic coverage	*)
MTTFD	*)
CCF	*)
<b>Supply</b>	
Supply voltage for system and inputs	24 V DC +20 % / -15 % via the system bus
Supply voltage for outputs	24 V DC +20 % / -15 %
Maximum feed current for input modules	8 A
Current consumption (internal)	< 45 mA
<b>Digital inputs</b>	
Wire breakage detection	yes
Short-circuit detection	yes
<b>General data</b>	
Weight	80 g
Dimensions (H/W/D)	120 mm (with catch lever 128 mm) x 11,5 mm x 76 mm

<b>u-remote system bus</b>		
Interface	u-remote system bus	
Transmission rate of system bus	48 Mbit/s	
<b>Safety-related data</b>		
Achievable safety standard	IEC 61508 SIL 3 and DIN EN ISO 13849-1:2008 PL e	
Level of diagnostic coverage	*)	
MTTFD	*)	
CCF	*)	
<b>Supply</b>		
Supply voltage for system and inputs	24 V DC +20 % / -15 % via the system bus	
Supply voltage for outputs	24 V DC +20 % / -15 %	
Maximum feed current for input modules	8 A	
Current consumption (internal)	< 45 mA	
<b>Digital inputs</b>		
Wire breakage detection	yes	
Short-circuit detection	yes	
<b>General data</b>		
Weight	80 g	
Dimensions (H/W/D)	120 mm (with catch lever 128 mm) x 11,5 mm x 76 mm	

Ordering data

<b>Module variants</b>	
Safety module, 1 digital input	

Type	Qty.	Order No.
UR20-PF-0-1DI-SIL	1	1335030000

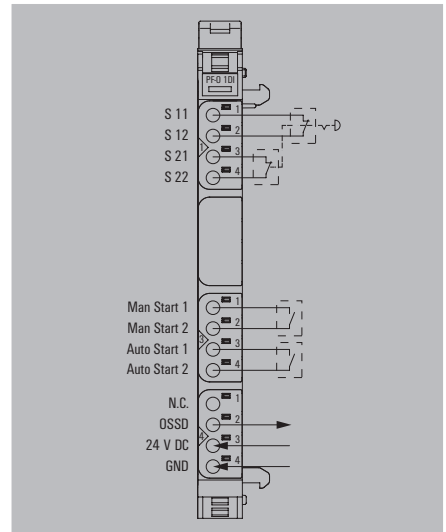
\*) For this and additional technical data, please refer to the manual available at [www.weidmueller.de](http://www.weidmueller.de) or scan the QR code below.

Accessories

<b>Coding elements</b>	
Coding elements	
Termination kit	
Swivel marker	
Connection marker for pusher custom printing	
Connection marker for pusher neutral	
Module marker for custom printing	
Module marker for neutral	
Thermotransfer version (Material: Polyester)	
Thermotransfer version (Material: Polyester)	
Paper version for Laserprinter	
<b>Replacement parts</b>	
Electronics module	
Basic module	
Plug-in connector unit	
<b>Note</b>	

Type	Qty.	Order No.
KOSM BHZ5.00	100	1483050000
UR20-EBK-ACC	5	1346610000
UR20-SM-ACC	20	1339920000
PM 2.7/2.6 MC SDR	192	1323700000
PM 2.7/2.6 MC NE WS	960	1323710000
DEK 5/8-11.5 MC SDR	100	1341610000
DEK 5/8-11.5 MC NE WS	500	1341630000
THM UR20 GE *)	1	1429910000
THM UR20 WS *)	1	1429420000
ESD UR20 DIN A4 WS *)	10	1429430000
<b>Replacement parts</b>		
UR20-PF-0-1DI-SIL-SP	1	1347520000
UR20-BM-SIL-SP	5	1350970000
UR20-PK-SIL-1DI-SP	5	1346560000

\*)1 1 roll = 1000 label = 1 Qty.  
\*)2 1 sheet = 60 label = 1 Qty.



Product standard	IEC 61131-2
EMC	EN 61000
ATEX	EN 60079
ATEXUL (in preparation)	UL 508



Let's connect.

2 DI-SIL

- SIL 3 safety standard in accordance with IEC 62061 and DIN EN ISO 13849-1, category 4, PL e
- Connection for an emergency stop circuit
- OSSD output reports status to control unit
- Pulsed input circuit for wire breakage and short-circuit detection
- Restart: manual or using autostart

UR20-PF-0-2DI-SIL



Technical data

System data	
Interface	u-remote system bus
Transmission rate of system bus	48 Mbit/s
Safety-related data	
Achievable safety standard	IEC 61508 SIL 3 and DIN EN ISO 13849-1:2008 PL e
Level of diagnostic coverage	*)
MTTFD	*)
CCF	*)
Supply	
Supply voltage for system and inputs	24 V DC +20 % / -15 % via the system bus
Supply voltage for outputs	24 V DC +20 % / -15 %
Maximum feed current for input modules	8 A
Current consumption (internal)	< 45 mA
Digital inputs	
Wire breakage detection	yes
Short-circuit detection	yes
General data	
Weight	82 g
Dimensions (H/W/D)	120 mm (with catch lever 128 mm) x 11,5 mm x 76 mm

Type		
Type	Qty.	Order No.
UR20-PF-0-2DI-SIL	1	1335050000
*) For this and additional technical data, please refer to the manual available at <a href="http://www.weidmueller.de">www.weidmueller.de</a> or scan the QR code below.		

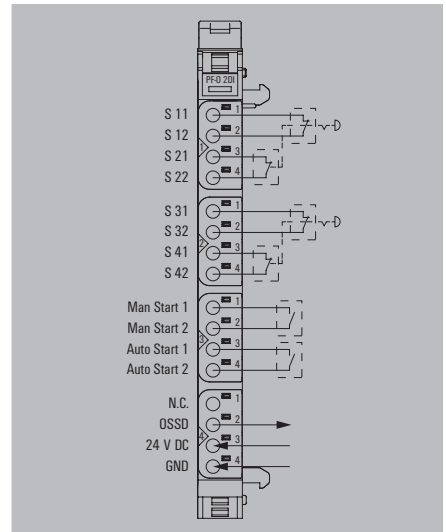
Ordering data

Module variants	
Safety module, 2 digital inputs	

Accessories

Accessories	
Coding elements	
Termination kit	
Swivel marker	
Connection marker for pusher custom printing	
Connection marker for pusher neutral	
Module marker for custom printing	
Module marker for neutral	
Thermotransfer version (Material: Polyester)	
Thermotransfer version (Material: Polyester)	
Paper version for Laserprinter	
Replacement parts	
Electronics module	
Basic module	
Plug-in connector unit	
Note	

Accessories		
Type	Qty.	Order No.
KOSM BHZ5.00	100	1483050000
UR20-EBK-ACC	5	1346610000
UR20-SM-ACC	20	1339920000
PM 2.7/2.6 MC SDR	192	1323700000
PM 2.7/2.6 MC NE WS	960	1323710000
DEK 5/8-11.5 MC SDR	100	1341610000
DEK 5/8-11.5 MC NE WS	500	1341630000
THM UR20 GE *)	1	1429910000
THM UR20 WS *)	1	1429420000
ESD UR20 DIN A4 WS *)	10	1429430000
Replacement parts		
UR20-PF-0-2DI-SIL-SP	1	1347540000
UR20-BM-SIL-SP	5	1350970000
UR20-PK-SIL-2DI-SP	5	1346570000
*)1 1 roll = 1000 label = 1 Qty. *)2 1 sheet = 60 label = 1 Qty.		



Product standard	
Product standard	IEC 61131-2
EMC	EN 61000
ATEX	EN 60079
ATEXUL (in preparation)	UL 508



Let's connect.



## 2 DI-Delay-SIL

- SIL 3 safety standard in accordance with IEC 62061 and DIN EN ISO 13849-1, category 4, PL e
- Switch-off after adjustable delay
- Connection for an emergency stop circuit
- OSSD output reports status to control unit
- Pulsed input circuit for wire breakage and short-circuit detection
- Restart: manual or using autostart

## UR20-PF-0-2DI-DELAY-SIL



### Technical data

System data	
Interface	u-remote system bus
Transmission rate of system bus	48 Mbit/s
Safety-related data	
Achievable safety standard	IEC 61508 SIL 3 and DIN EN ISO 13849-1:2008 PL e
Level of diagnostic coverage	*)
MTTFD	*)
CCF	*)
Supply	
Supply voltage for system and inputs	24 V DC +20 % / -15 % via the system bus
Supply voltage for outputs	24 V DC +20 % / -15 %
Maximum feed current for input modules	8 A
Current consumption (internal)	< 45 mA
Digital inputs	
Wire breakage detection	yes
Short-circuit detection	yes
General data	
Weight	84 g
Dimensions (H/W/D)	120 mm (with catch lever 128 mm) x 11,5 mm x 76 mm

### Ordering data

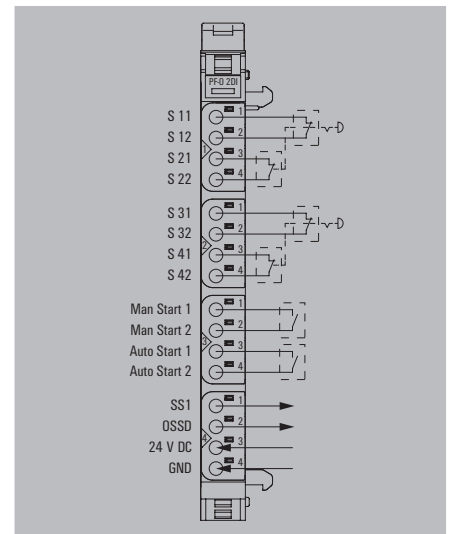
Module variants	Type	Qty.	Order No.
Safety module, 2 digital inputs, delayed	UR20-PF-0-2DI-DELAY-SIL	1	1335040000

\*) For this and additional technical data, please refer to the manual available at [www.weidmueller.de](http://www.weidmueller.de) or scan the QR code below.

### Accessories

	Type	Qty.	Order No.
Coding elements	KOSM BHZ5.00	100	1483050000
Termination kit	UR20-EBK-ACC	5	1346610000
Swivel marker	UR20-SM-ACC	20	1339920000
Connection marker for pusher custom printing	PM 2.7/2.6 MC SDR	192	1323700000
Connection marker for pusher neutral	PM 2.7/2.6 MC NE WS	960	1323710000
Module marker for custom printing	DEK 5/8-11.5 MC SDR	100	1341610000
Module marker for neutral	DEK 5/8-11.5 MC NE WS	500	1341630000
Thermotransfer version (Material: Polyester)	THM UR20 GE *)	1	1429910000
Thermotransfer version (Material: Polyester)	THM UR20 WS *)	1	1429420000
Paper version for Laserprinter	ESD UR20 DIN A4 WS *)	10	1429430000
Replacement parts			
Electronics module	UR20-PF-0-2DI-DE-SIL-SP	1	1347530000
Basic module	UR20-BM-SIL-SP	5	1350970000
Plug-in connector unit	UR20-PK-SIL-2DI-SP	5	1346570000

\*)1 roll = 1000 label = 1 Qty.  
\*)2 1 sheet = 60 label = 1 Qty.



Product standard	IEC 61131-2
EMC	EN 61000
ATEX	EN 60079
ATEXUL (in preparation)	UL 508



Let's connect.

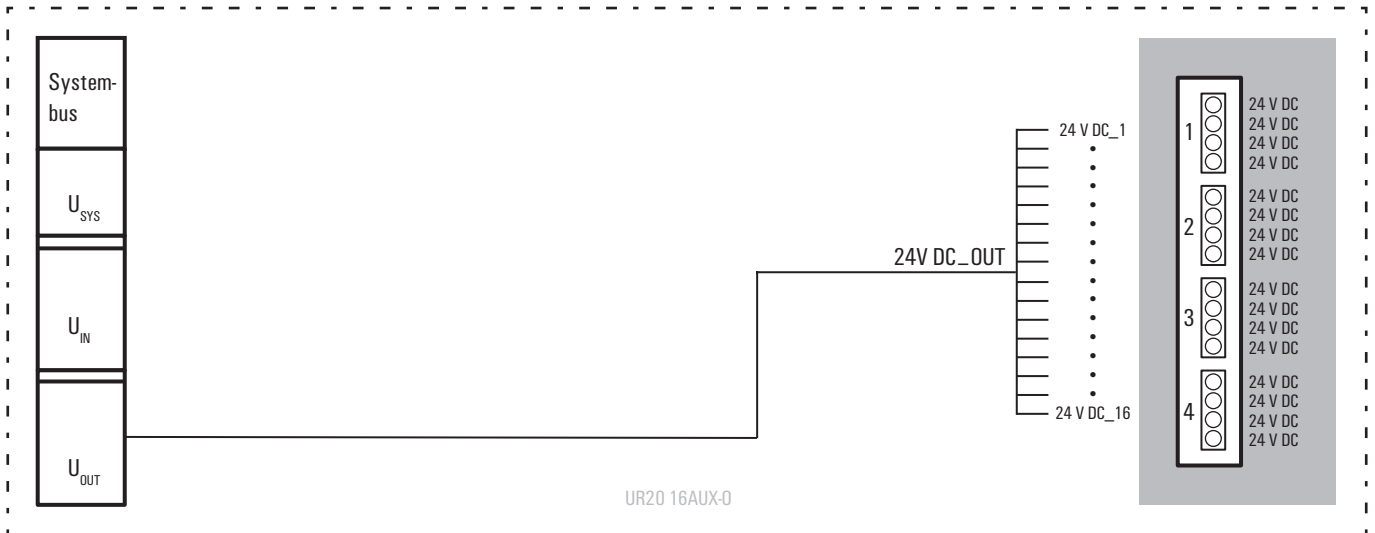
# Accessories

## Potential distribution modules; system accessories

IP 20  
A

A wide range of accessory modules is provided for the individual requirements of machine and plant construction. Various potential distribution modules are available for directly supplying sensors with 2-wire, 3-wire or 3-wire+FE connection technology from the remote-I/O system. These provide 16 "PUSH IN" potential points and supply your application with each auxiliary potential available. An empty module, where the system bus and voltage supply are looped through, allows you to plan expansion slots in a system and to start these up without any interruptions if required.

**UR20-16AUX-0 block diagram by way of example**



**AUX**

- Distribution of the various potentials
- Actuator and sensor supply
- 16 "PUSH IN" potential contacts

**Technical data****Supply**

Voltage supply

**General data**

Weight

Dimensions (H/W/D)

**UR20-16AUX****Ordering data****Module variants**

Potential distribution module

**Accessories**

Coding elements  
Termination kit  
Swivel marker  
Connection marker for pusher custom printing  
Connection marker for pusher neutral  
Module marker for custom printing  
Module marker for neutral  
Thermotransfer version (Material: Polyester)  
Thermotransfer version (Material: Polyester)  
Paper version for Laserprinter

**Replacement parts**

Electronics module

Basic module

Plug-in connector unit

**Note**

24 V DC +20 % / -15 % via Input- or output path / FE

84 g

120 mm (with catch lever) 128 mm x 11,5 mm x 76 mm

Type	Qty.	Order No.
UR20-16AUX-I	1	1334770000
UR20-16AUX-O	1	1334780000
UR20-16AUX-FE	1	1334790000
UR20-16AUX-GND-I	1	1334800000
UR20-16AUX-GND-O	1	1334810000

Type	Qty.	Order No.
KOSM BHZ5.00	100	1483050000
UR20-EBK-ACC	5	1346610000
UR20-SM-ACC	20	1339920000
PM 2.7/2.6 MC SDR	192	1323700000
PM 2.7/2.6 MC NE WS	960	1323710000
DEK 5/8-11.5 MC SDR	100	1341610000
DEK 5/8-11.5 MC NE WS	500	1341630000
THM UR20 GE * <sup>1)</sup>	1	1429910000
THM UR20 WS * <sup>1)</sup>	1	1429420000
ESD UR20 DIN A4 WS * <sup>2)</sup>	10	1429430000

UR20-16AUX-I-SP	1	1347450000
UR20-16AUX-O-SP	1	1347470000
UR20-16AUX-GND-FE-SP	1	1347480000
UR20-16AUX-GND-I-SP	1	1347490000
UR20-16AUX-GND-O-SP	1	1347500000
UR20-BM-SP	5	1350930000
UR20-PK-PWR-I-SP	5	1346450000
UR20-PK-PWR-O-SP	5	1346460000
UR20-PK-FE-SP	5	1346490000
UR20-PK-GND-I-SP	5	1346470000
UR20-PK-GND-O-SP	5	1346480000

\*<sup>1)</sup> 1 roll = 1000 label = 1 Qty.  
\*<sup>2)</sup> 1 sheet = 60 label = 1 Qty.

Product standard	IEC 61131-2
EMC	EN 61000
ATEX	EN 60079
ATEXUL (in preparation)	UL 508

16AUX-I



Let's connect.

16AUX-O



Let's connect.

16AUX-FE



Let's connect.

16AUX-GND-I



Let's connect.

16AUX-GND-O



Let's connect.

Empty module

- Forwarding of system bus and voltage paths
- Space for subsequent expansion
- Basis for all I/O-modules

UR20-ES



Technical data

General data

Weight	70 g
Dimensions (H/W/D)	120 mm (with catch lever 128 mm) x 11,5 mm x 76 mm

Ordering data

Module variants

Empty module

Type	Qty.	Order No.
UR20-ES	1	1315770000

Accessories

- Coding elements
- Termination kit
- Swivel marker
- Connection marker for pusher custom printing
- Connection marker for pusher neutral
- Module marker for custom printing
- Module marker for neutral
- Thermotransfer version (Material: Polyester)
- Thermotransfer version (Material: Polyester)
- Paper version for Laserprinter

Replacement parts

- Electronics module
- Basic module
- Plug-in connector unit

Note

Type	Qty.	Order No.
KOSM BHZ5.00	100	1483050000
UR20-EBK-ACC	5	1346610000
UR20-SM-ACC	20	1339920000
PM 2.7/2.6 MC SDR	192	1323700000
PM 2.7/2.6 MC NE WS	960	1323710000
DEK 5/8-11.5 MC SDR	100	1341610000
DEK 5/8-11.5 MC NE WS	500	1341630000
THM UR20 GE * <sup>1)</sup>	1	1429910000
THM UR20 WS * <sup>1)</sup>	1	1429420000
ESD UR20 DIN A4 WS * <sup>2)</sup>	10	1429430000

UR20-ES-SP	1	1347370000
UR20-BM-SP	5	1350930000
UR20-PK-ES-SP	5	1346510000

\*<sup>1)</sup> 1 roll = 1000 label = 1 Qty.  
 \*<sup>2)</sup> 1 sheet = 60 label = 1 Qty.

Product standard	IEC 61131-2
EMC	EN 61000
ATEX	EN 60079
ATEXUL (in preparation)	UL 508



Let's connect.

Termination kit

- Includes an end plate and two end brackets

UR20-EBK



Ordering data

Module variants

Termination kit

Type	Qty.	Order No.
UR20-EBK-ACC	5	1346610000



# System overview

Below you will find assistance for putting together your system. Please note the maximum number of 64 active modules and the packaging units for the accessories! More detailed technical data and product descriptions can be found here in the catalogue in the corresponding chapter.

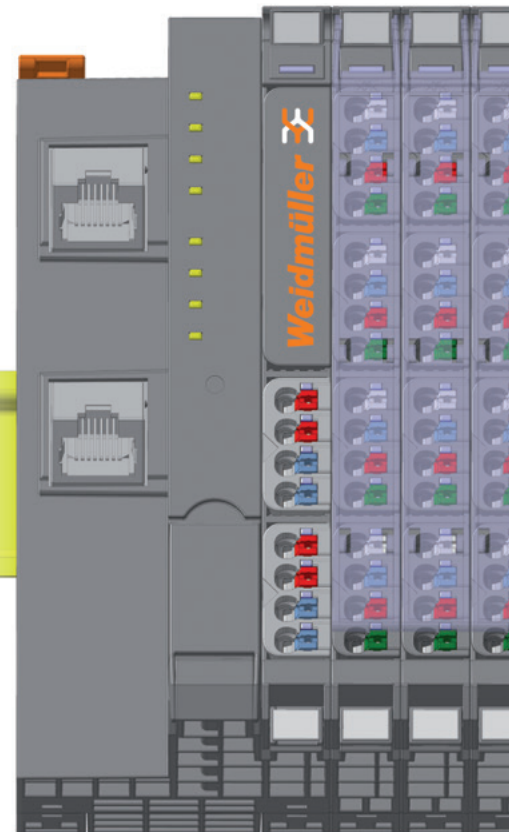
Bottom right on this page you will find assistance for supplying the current paths.

## 1. What field bus are you using?

Bus	Type	Order No.	Page
PROFIBUS	UR20-FBC-PB-DP	1334870000	A.9
PROFINET	UR20-FBC-PN-IRT	1334880000	A.11
EtherCAT	UR20-FBC-EC	1334910000	A.13
Modbus	UR20-FBC-MOD	1334930000	A.15

## 2. What signals do you want to process?

Digital inputs	Order No.	Page
UR20-4DI-P	1315170000	A.17
UR20-8DI-P-2W	1315180000	A.18
UR20-8DI-P-3W	1394400000	A.19
UR20-16DI-P	1315200000	A.20
UR20-16DI-P-PLC-INT	1315210000	A.21
UR20-2DI-P-TS	1460140000	A.22
UR20-4DI-P-TS	1460150000	A.23
UR20-1CNT-100-1DO	1315570000	A.35
UR20-2CNT-100	1315590000	A.36
Digital outputs		Page
UR20-4DO-P	1315220000	A.25
UR20-4DO-2A	1315230000	A.26
UR20-4DO-PN-2A	1394420000	A.27
UR20-8DO-P	1315240000	A.28
UR20-16DO-P	1315250000	A.29
UR20-16DO-P-PLC-INT	1315270000	A.30
UR20-4RO-SSR-255	1315540000	A.31
UR20-4RO-CO-255	1315550000	A.32
UR20-PWM-0.5A	1315600000	A.39
UR20-2PWM-2A	1315610000	A.40
Analogue inputs		Page
UR20-4AI-UI-16	1315620000	A.43
UR20-4AI-UI-12	1394390000	A.44
UR20-8AI-PLC-INT	1315670000	A.45
UR20-4AI-RTD-DIAG	1315700000	A.48
UR20-4AI-TC-DIAG	1315710000	A.47
Analogue outputs		Page
UR20-4AO-UI	1315680000	A.51
Further functional modules		Page
UR20-PF-0-1DI-SIL	1335030000	A.57
UR20-PF-0-2DI-SIL	1335050000	A.58
UR20-PF-0-2DI-DELAY-SIL	1335040000	A.59



3. Do you need more than 10 A on the input or output path? Then you will need an additional supply! There is a sample calculation at the bottom of this page.

	Order No.	Page
UR20-PF-I	1334710000	A.53
UR20-PF-O	1334740000	A.54

#### 4. AUX and accessories

AUX	Order No.	Page
UR20-16AUX-I	1334770000	A.61
UR20-16AUX-O	1334780000	A.61
UR20-16AUX-FE	1334790000	A.61
UR20-16AUX-GND-I	1334800000	A.61
UR20-16AUX-GND-O	1334810000	A.61
Accessories		Page
End bracket	1346610000	A.61
Swivel marker	1339920000	A.61
Connection marker for pusher custom printing	1323700000	A.61
Connection marker for pusher neutral	1323710000	A.61
Module marker for custom printing	1341610000	A.61
Module marker for neutral	1341630000	A.61
Empty module	1315770000	A.62
Thermotransfer version (Material: Polyester)	1429910000	A.61
Thermotransfer version (Material: Polyester)	1429420000	A.61
Paper version for Laserprinter	1429430000	A.61



The additional supply calculation is different for each application. Simultaneity factors and current requirement must be known. To assist you, we have produced the example shown here in a simplified form.

Our example uses a row of 8-DO modules, i.e. units which can hold four actuator connections each. The actual current needed and therefore the position for a power-feed module to supply the current path can be determined from the mathematical combination of current requirement and simultaneity factor. Please note that u-remote provides an input and an output current path. Both must be included in the additional supply calculation. The system voltage doesn't have to be taken into account.

#### Sample calculation

Module no.	Module type	Current requirement of connected devices (A)	Simultaneity factor	Current following calculation of simultaneity factor per module	Current requirement of system - cumulative	Current requirement of system - cumulative with UR20-PF-O
1st module	UR20-8DO-P	0.5	0.5	0.25	0.25	0.25
2nd module	UR20-8DO-P	0.3	0.5	0.15	0.4	0.4
3rd module	UR20-8DO-P	2.0	0.7	1.4	1.8	1.8
4th module	UR20-8DO-P	2.0	0.5	1	2.8	2.8
5th module	UR20-8DO-P	2.0	0.3	2	4.8	4.8
6th module	UR20-8DO-P	0.5	0.2	0.1	4.9	4.9
7th module	UR20-8DO-P	1.0	0.1	0.75	5.65	5.65
8th module	UR20-8DO-P	1.0	0.2	0.2	5.85	5.85
9th module	UR20-8DO-P	1.2	0.5	0.6	6.45	6.45
10th module	UR20-8DO-P	2.0	1.0	2	8.45	8.45
	UR20-PF-O					
11th module	UR20-8DO-P	2.0	1.0	2	10.45	2
12th module	UR20-8DO-P	3.0	1.0	1	11.45	3
13th module	UR20-8DO-P	2.0	1.0	2	13.45	5

**Current requirement exceeds 10 A!**  
The output current path therefore needs an additional supply before the 11th module.

10 A supplied by the UR20-PF-O module.  
The 1.55 A calculated as remaining after the 10th module must not be added to the 10 A after the UR20-PF-O module!

